



HORTON BRASSES, INC.

MAKERS OF FINE HARDWARE

~ SINCE 1936 ~

Product Catalog 2019

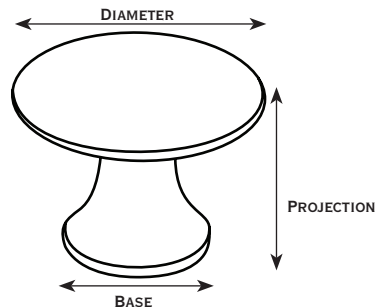
Desk Hardware



Desk Interior Knobs

These classic little mushroom knobs are used for the pull-outs on desks and secretaries, small drawers, and on breadboard style work surfaces. Made of solid brass and available in seven finishes.

Knobs are provided with your choice of wood screws or machine screws. If you are using the machine screw and your wood is thicker than $\frac{3}{4}$ " , please tell us the thickness of the wood so we can provide the proper screw.



Dimensions

	diameter	projection	base
H-42 $\frac{3}{8}$ "	$\frac{3}{8}$ "	$\frac{3}{8}$ "	$\frac{3}{16}$ "
H-42 $\frac{1}{2}$ "	$\frac{1}{2}$ "	$\frac{7}{16}$ "	$\frac{1}{4}$ "
H-42 $\frac{5}{8}$ "	$\frac{5}{8}$ "	$\frac{1}{2}$ "	$\frac{3}{8}$ "
H-42 $\frac{3}{4}$ "	$\frac{3}{4}$ "	$\frac{9}{16}$ "	$\frac{7}{16}$ "
H-42 $\frac{7}{8}$ "	$\frac{7}{8}$ "	$\frac{5}{8}$ "	$\frac{7}{16}$ "

Available
Finishes



See the rest of the finishes online at
www.horton-brasses.com/deskinterior.asp

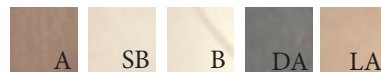


H-42 Satin Nickel

FB-20 Mortised Slide Bolt

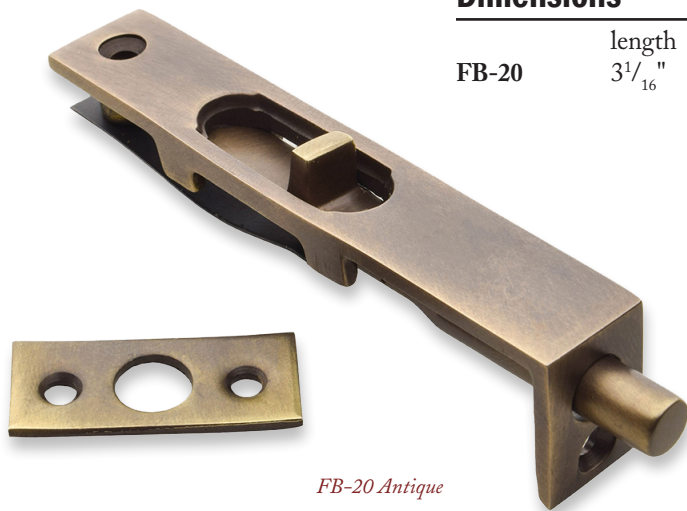
This flush mounted bolt is used to fasten one door of a secretary or cupboard. They are usually mounted in the edge or on the back of the left hand door. These slide bolts are made in England and hand finished in the USA.

Available
Finishes

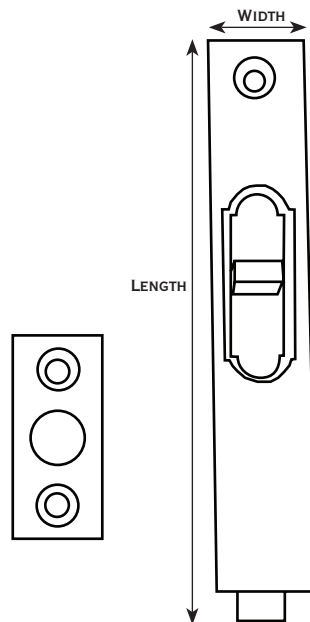


Dimensions

	length	width
FB-20	$3\frac{1}{16}$ "	$\frac{1}{2}$ "



FB-20 Antique

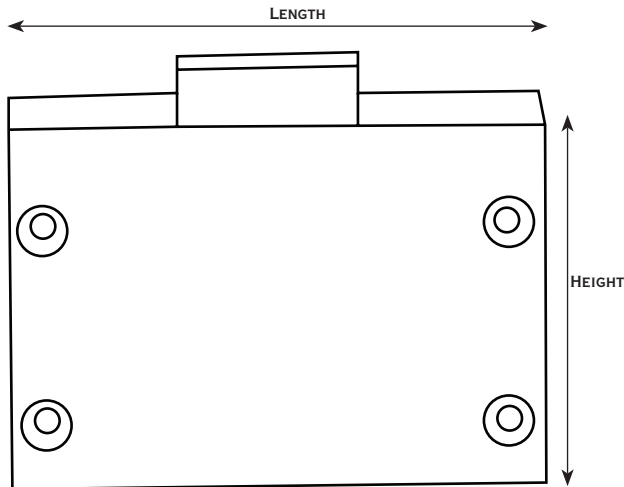


FB-20 ACTUAL SIZE

Desk Lock

LK-20 is a half mortise lock for the slant front of a desk or secretary. It differs from a traditional drawer lock because the selvedge is angled at 105 degrees instead of 90. Many woodworkers cut the rabbeted edge on a drop front at an angle to allow for expansion and contraction. Each lock is supplied with two antique finished steel keys.

See the rest of the finishes online at www.horton-brasses.com/desklOCKS.asp

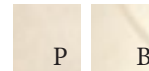


LK-20 ACTUAL SIZE

Dimensions

	height	length	selvedge	distance to pin
LK-20	1 ⁷ / ₈ "	2 ³ / ₄ "	⁹ / ₁₆ "	1 ¹ / ₈ "

Available
Finishes



Optional Strike Plate: Our SP-2 will fit these lock.



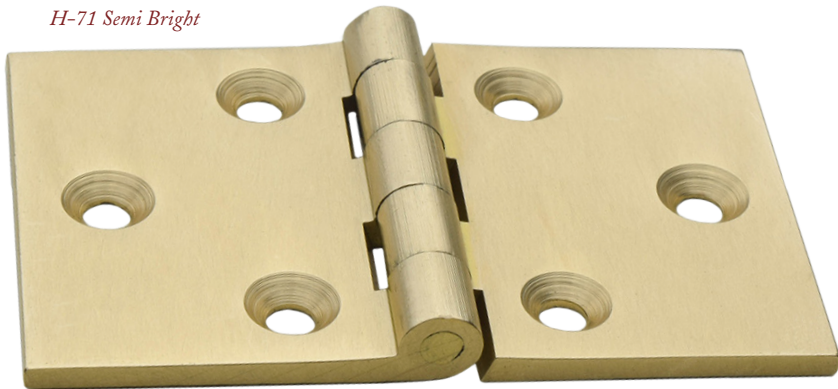
Brass Desk Hinges

These hinges are used on drop front desks and secretaries. They are mounted barrel up and mortised into the lid and case so that the leaves of the hinge are flush with the surface of the wood. They are made from solid brass and are available in five finishes.

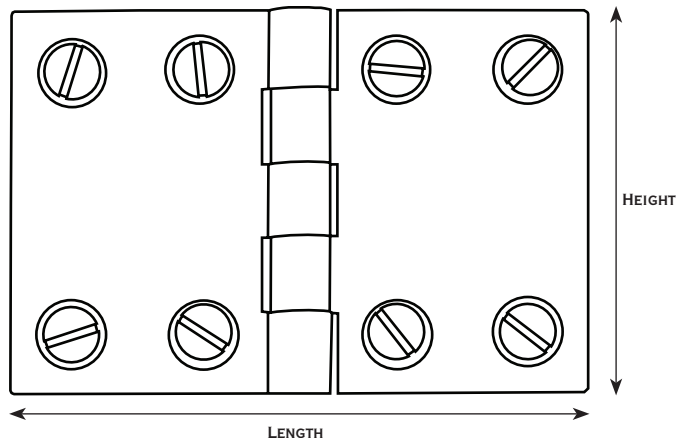
Dimensions

	length	thickness	height
H-68	3"	$\frac{1}{8}$ "	2"
H-71	$2\frac{3}{8}$ "	$\frac{3}{32}$ "	$1\frac{1}{2}$ "

H-71 Semi Bright



H-68 ACTUAL SIZE



See the rest of the finishes online at
www.horton-brasses.com/brassdeskhinges.asp

Available
 Finishes



