

# HORTON BRASSES, INC.

MAKERS OF FINE HARDWARE

~ SINCE 1936 ~

Digital Catalog 2019



Kitchen Hardware

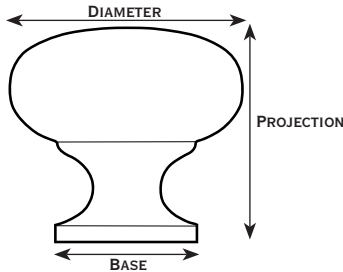
# K-12 Classic Kitchen Knobs

Our classic kitchen knob is made from solid brass and hand finished one at a time in your choice of seven different finishes with or without a lacquer coating. The K-12 is our most popular knob for a reason. It just feels right. The smooth rounded surface feels good on your hands—and the finish options allow you to dress it up and go modern or keep it casual for something traditional or rustic.

Kitchen knobs are provided with screws for  $\frac{3}{4}$ " thick wood. Please let us know if your wood thickness is bigger or smaller.

## Dimensions

	diameter	projection	base
K-12 $1\frac{1}{4}$ "	$1\frac{1}{4}$ "	$1\frac{1}{8}$ "	$\frac{3}{4}$ "
K-12 1"	1"	1"	$\frac{5}{8}$ "
K-12 $\frac{3}{4}$ "	$\frac{3}{4}$ "	$\frac{3}{4}$ "	$\frac{7}{16}$ "
BP-14	$1\frac{1}{4}$ "	-	-



*BP-14 Light Antique*



*See the rest of the finishes online at [www.horton-brasses.com/solidbrassround1.asp](http://www.horton-brasses.com/solidbrassround1.asp)*

*K-12 Antique*



## Solid Brass Oval Knobs

A simple versatile solid brass oval knob. Use horizontally or vertically in any of our seven standard finishes and three lacquered finishes.

Perfectly suited for doors, drawers, spice drawers or jewelry cabinets. The smooth and elegant looks extends beyond style. The design is comfortable to grab and holds up through long-term, regular use.



*K-40 Antique*

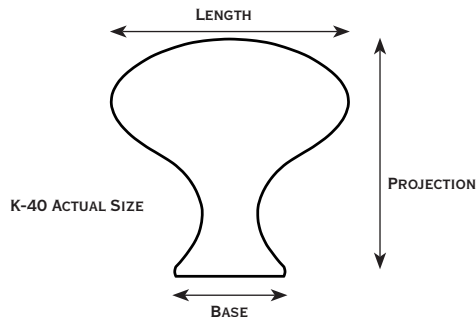
Available  
Finishes



*See the rest of the finishes online at  
[www.horton-brasses.com/solidbrassoval2.asp](http://www.horton-brasses.com/solidbrassoval2.asp)*

### Dimensions

	length	width	projection	base
K-40	$1\frac{1}{4}$ "	$1\frac{3}{16}$ "	$1\frac{1}{8}$ "	$\frac{9}{16}$ "





## Smooth Elegant Knobs

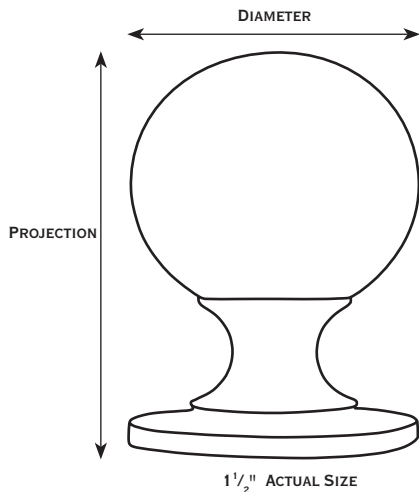
Not all knobs are created equal. These CNC machined knobs out of the UK set the standard for elegance. The heft, the surface feel, the smooth round knob is truly something to behold. The polished nickel and dark antique finishes really bring out the surface finish with the K-5 series.

*See the rest of the finishes online at  
[www.horton-brasses.com/eleganround.asp](http://www.horton-brasses.com/eleganround.asp)*

### Dimensions

	diameter	projection	base
K-5 1 $\frac{1}{2}$ "	1 $\frac{1}{2}$ "	2 $\frac{1}{8}$ "	1 $\frac{1}{2}$ "
K-5 1 $\frac{1}{4}$ "	1 $\frac{1}{4}$ "	1 $\frac{3}{4}$ "	1 $\frac{1}{4}$ "

Available  
Finishes



*K-5 Polished Nickel*

## Beehive Knobs

Much like the smooth elegant round knobs, the K-6 beehives are truly extraordinary. The beehive pattern is beautifully machined into the surface giving the knob a soft touch like few others. The grooves in the pattern create a gorgeous contrast within the finish. We think the polished nickel and light antique finishes work particularly well with these knobs.

See the rest of the finishes online at [www.horton-brasses.com/elegantround.asp](http://www.horton-brasses.com/elegantround.asp)



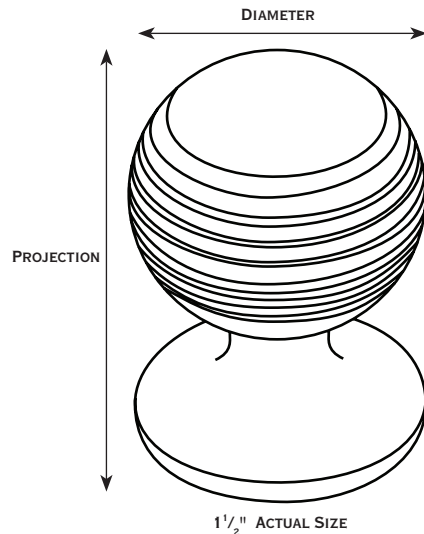
*K-6 Polished Nickel*

Available  
Finishes



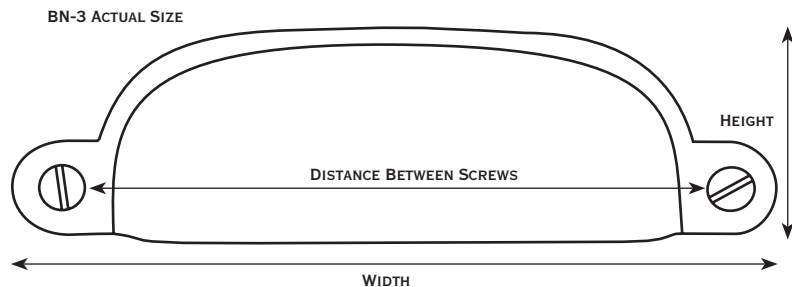
## Dimensions

	diameter	projection	base
K-6 1 1/2"	1 1/2"	2 1/8"	1 1/2"
K-6 1 1/4"	1 1/4"	1 3/4"	1 1/4"



## Dimensions

	width	projection	height	distance between screws
BN-2	3 <sup>3</sup> / <sub>4</sub> "	3/ <sub>4</sub> "	1 <sup>1</sup> / <sub>8</sub> "	3 <sup>1</sup> / <sub>4</sub> "
BN-3	4"	3/ <sub>4</sub> "	1 <sup>1</sup> / <sub>8</sub> "	3 <sup>9</sup> / <sub>16</sub> "



Available  
Finishes



*Hardware shown in the Antique finish.  
See the rest of the finishes online at  
[www.horton-brasses.com/binpulls-1.asp](http://www.horton-brasses.com/binpulls-1.asp)*

## Forged Brass Bin Pulls

Mirroring decor and architecture from centuries past and present, bin pulls capture early American colonial, Victorian, Art Deco, and other well-known period styles.

Forged from solid brass, these bin pulls provide a clean, elegant look for kitchens and pantries. Available in two sizes and seven finishes, they are very smooth and wonderful to touch.





## Dimensions

	width	height	boring	projection
BN-4	3 <sup>5</sup> / <sub>8</sub> "	1 <sup>11</sup> / <sub>16</sub> "	3"	3/ <sub>4</sub> "

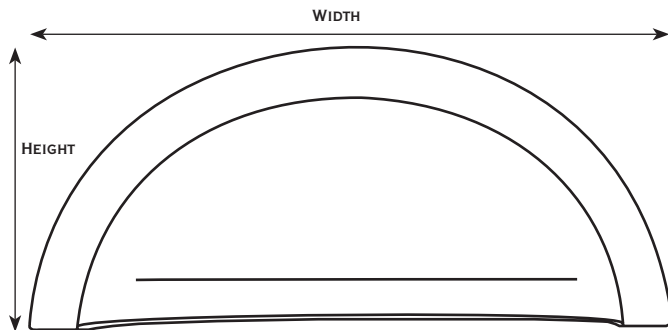
*Hardware shown in the Light Antique finish.  
See the rest of the finishes online at  
[www.horton-brasses.com/crescentbin.asp](http://www.horton-brasses.com/crescentbin.asp)*

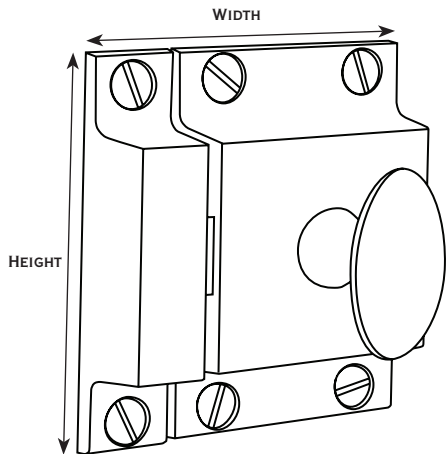
Available Finishes	AL	BL	DL	SB	SN
	A	B	DA	LA	PN

## Crescent Bin Pull

Classic yet contemporary, crescent bin pulls are crafted from a sand casting made in England. A choice of brass brass finishes and two nickel finishes give each handle a stylish, elegant character.

Each is mounted with machine screws. As the mounting hardware is not visible, each crescent pull blends seamlessly into your existing fixture.





See the rest of the finishes online at  
[www.horton-brasses.com/pantrylatch.asp](http://www.horton-brasses.com/pantrylatch.asp)



SL-6 Polished Nickel

## Pantry Latches

These turn of the century latches were used in butler pantries. The clean, simple shape makes them just as beautiful on country cabinets as they are on contemporary cabinetry.

Our latches have been around for quite some time, and over the years we've worked on the mechanism to make them at least as good as any latch on the market at any price.

Available in seven finishes, these latches are precision forged and hand finished. Slotted screws are provided with every latch. Phillips screws are available on request.

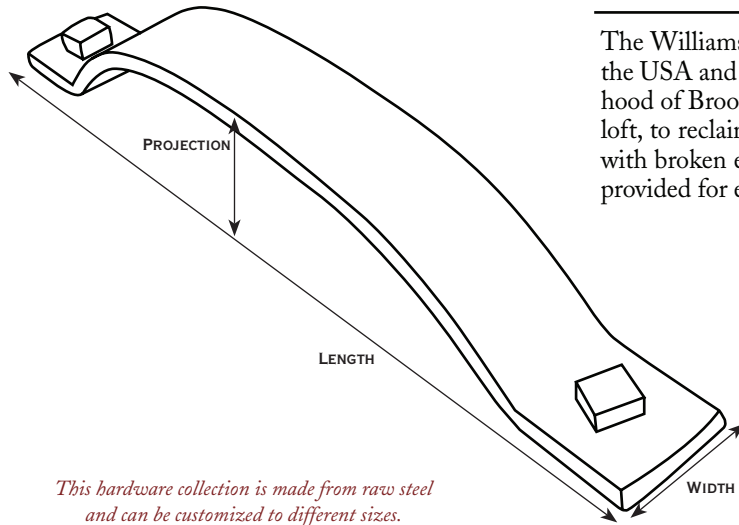
### Dimensions

	width	height	projection	knob size
SL-4	$1\frac{13}{16}$ "	$1\frac{9}{16}$ "	$1\frac{1}{8}$ "	$\frac{7}{16}$ " x $\frac{3}{4}$ "
SL-6	$2\frac{1}{4}$ "	$2\frac{1}{8}$ "	$1\frac{1}{2}$ "	$\frac{5}{8}$ " x $1\frac{1}{16}$ "

Available Finishes	AL	BL	DL	SB	SN
	A	B	DA	LA	PN

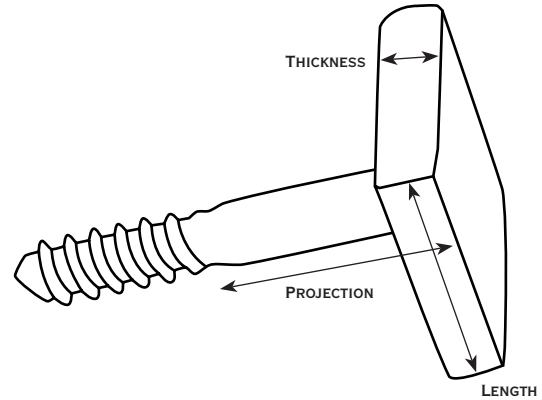


Williamsburg



*This hardware collection is made from raw steel and can be customized to different sizes.*

The Williamsburg line of hand forged iron pulls are completely made in the USA and inspired by the old factories in the Williamsburg neighborhood of Brooklyn. These pulls will fit right in anything from a converted loft, to reclaimed wood furniture, to a rustic cabin. Made from raw steel with broken edges, they feel as good as they look. 1" x 1/4" lag screws are provided for each pull.



## Pull Sizes

### WBG-6 Williamsburg Handle

length 6", width 3/4", projection 1 1/4"

### WBG-8 Williamsburg Handle

length 8", width 1", projection 1 1/4"

### WBG-12 Williamsburg Handle

length 12", width 1", projection 1 3/4"

## Knob Sizes

	length	width	projection	thickness
WBK-1	1 1/2"	1 1/2"	1 1/2"	1/4"

## Ring Pull Sizes

	diameter	height	projection
WBGR-1	3"	3 1/4"	5/8"
WBGR-2	2"	2 3/4"	5/8"



Introducing the Burbridge—the first of our new Studio Line of hardware. The Studio is a new direction for us—solid brass (as always), and beautifully detailed but at a more wallet friendly price. Sizes for the modern kitchen; with pulls and knobs for every kitchen application including your appliances.

The Burbridge comes in four unique finishes—each coated with a very durable electrophoretic coating.

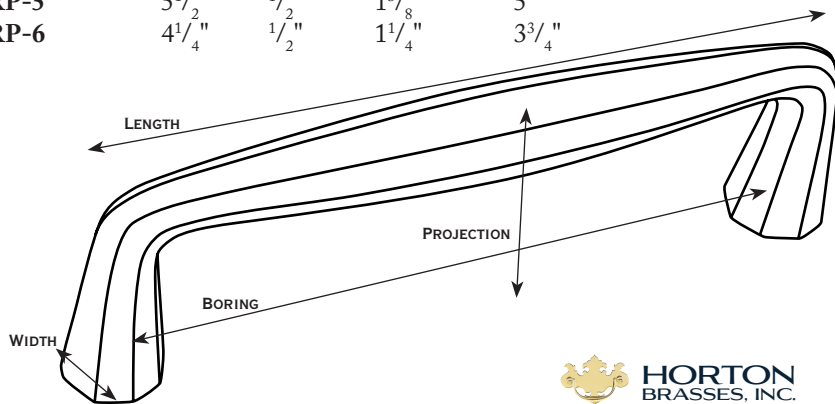
Available  
Finishes



*Hardware shown in the Pewter finish.  
See the rest of the finishes online at  
[www.horton-brasses.com/the-studio.asp](http://www.horton-brasses.com/the-studio.asp)*

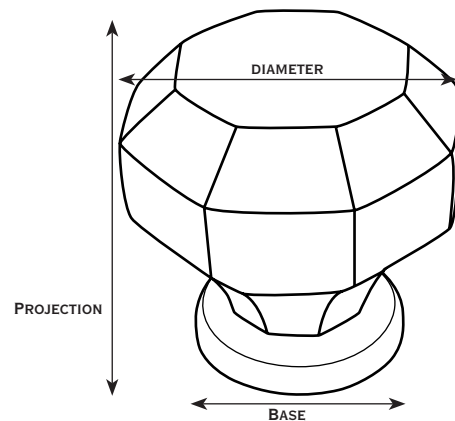
## Pull Sizes

	length	width	projection	boring
<b>BRP-1</b>	12 <sup>3</sup> / <sub>4</sub> "	3/4"	17/8"	12"
<b>BRP-2</b>	9 <sup>1</sup> / <sub>2</sub> "	5/8"	1 <sup>1</sup> / <sub>2</sub> "	8 <sup>13</sup> / <sub>16</sub> "
<b>BRP-3</b>	8 <sup>13</sup> / <sub>16</sub> "	5/8"	1 <sup>1</sup> / <sub>2</sub> "	7 <sup>1</sup> / <sub>2</sub> "
<b>BRP-4</b>	6 <sup>7</sup> / <sub>8</sub> "	1/2"	17/16"	6 <sup>5</sup> / <sub>16</sub> "
<b>BRP-5</b>	5 <sup>1</sup> / <sub>2</sub> "	1/2"	13/8"	5"
<b>BRP-6</b>	4 <sup>1</sup> / <sub>4</sub> "	1/2"	1 <sup>1</sup> / <sub>4</sub> "	3 <sup>3</sup> / <sub>4</sub> "



## Knob Sizes

	diameter	projection	base
<b>BRK-1</b>	1 <sup>1</sup> / <sub>2</sub> "	1 <sup>1</sup> / <sub>2</sub> "	1"
<b>BRK-2</b>	1 <sup>1</sup> / <sub>4</sub> "	1 <sup>1</sup> / <sub>4</sub> "	3/4"



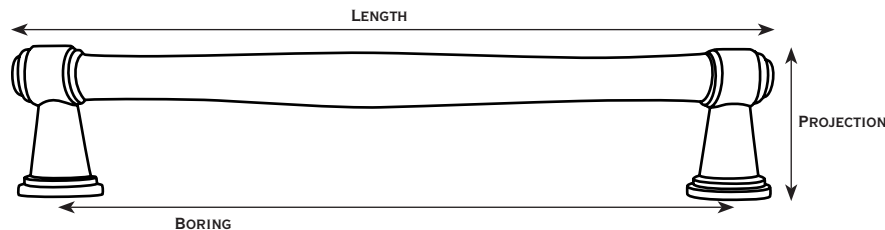
Burbridge



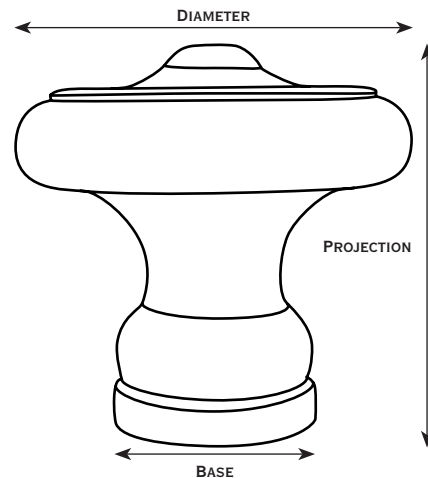
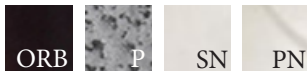
Heritage



The second addition to our Studio range, the Heritage pulls are made from solid brass and hand finished. Each has an electroplated coating for lasting durability. Three knobs and five pulls cover every application including two appliance sized pulls. Like the Burbridge, the Heritage is available in polished nickel, satin nickel, oil-rubbed bronze, and pewter.



Available  
Finishes



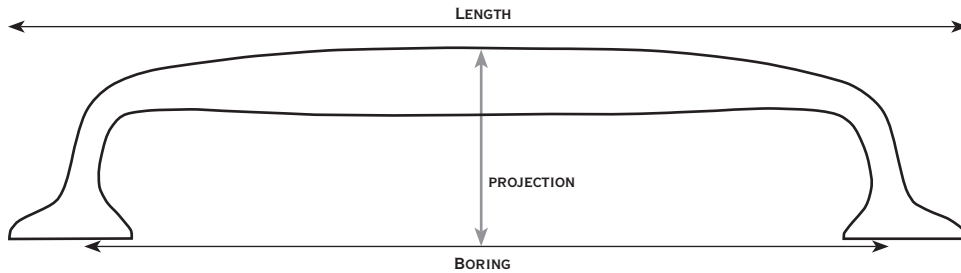
*Hardware shown in the Polished Nickel finish.  
See the rest of the finishes online at  
[www.horton-brasses.com/the-studio.asp](http://www.horton-brasses.com/the-studio.asp)*

## Pull Sizes

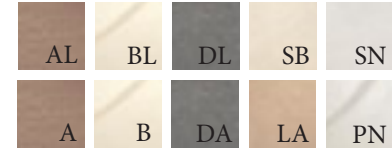
	length	width	projection	boring
HTG-1	18 <sup>13</sup> / <sub>16</sub> "	13 <sup>13</sup> / <sub>16</sub> "	1 <sup>13</sup> / <sub>16</sub> "	18"
HTG-2	10 <sup>5</sup> / <sub>8</sub> "	3 <sup>3</sup> / <sub>4</sub> "	1 <sup>1</sup> / <sub>2</sub> "	10"
HTG-3	8 <sup>3</sup> / <sub>8</sub> "	3 <sup>3</sup> / <sub>4</sub> "	1 <sup>1</sup> / <sub>2</sub> "	7 <sup>1</sup> / <sub>2</sub> "
HTG-4	7"	3 <sup>3</sup> / <sub>4</sub> "	1 <sup>1</sup> / <sub>2</sub> "	6 <sup>1</sup> / <sub>2</sub> "
HTG-5	5 <sup>13</sup> / <sub>16</sub> "	3 <sup>3</sup> / <sub>4</sub> "	1 <sup>1</sup> / <sub>2</sub> "	5"

## Knob Sizes

	diameter	projection	base
HTK-1	1 <sup>1</sup> / <sub>2</sub> "	1 <sup>1</sup> / <sub>2</sub> "	1"
HTK-2	1 <sup>1</sup> / <sub>4</sub> "	1 <sup>1</sup> / <sub>4</sub> "	3 <sup>3</sup> / <sub>4</sub> "
HTK-3	1"	1"	3 <sup>3</sup> / <sub>4</sub> "



*Hardware shown in the Dark Antique finish.  
See the rest of the finishes online at  
[www.horton-brasses.com/Bakespulls.asp](http://www.horton-brasses.com/Bakespulls.asp)*



Available Finishes

## Pull Sizes

	length	width	projection	boring
<b>BB-1</b>	14 <sup>3</sup> / <sub>4</sub> "	1 <sup>1</sup> / <sub>2</sub> "	2"	13"
<b>BB-2</b>	9 <sup>1</sup> / <sub>2</sub> "	7/ <sub>8</sub> "	1 <sup>1</sup> / <sub>2</sub> "	8 <sup>3</sup> / <sub>16</sub> "
<b>BB-3</b>	7 <sup>3</sup> / <sub>16</sub> "	3/ <sub>4</sub> "	1 <sup>3</sup> / <sub>16</sub> "	5 <sup>15</sup> / <sub>16</sub> "
<b>BB-4</b>	6 <sup>1</sup> / <sub>8</sub> "	1/ <sub>2</sub> "	1"	5"
<b>BB-5</b>	5 <sup>1</sup> / <sub>8</sub> "	1/ <sub>2</sub> "	1"	4"

## Knob Sizes

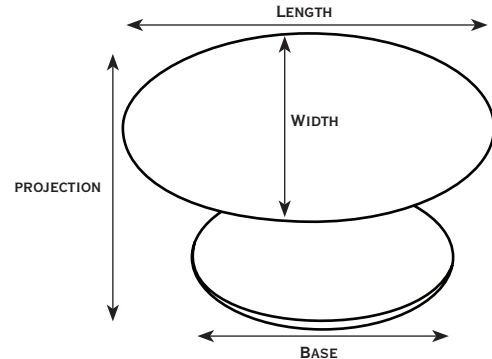
	length	width	projection	base
<b>BBK-1</b>	2 <sup>3</sup> / <sub>16</sub> "	1 <sup>1</sup> / <sub>2</sub> "	1 <sup>3</sup> / <sub>8</sub> "	1 <sup>9</sup> / <sub>16</sub> " x 1 <sup>1</sup> / <sub>4</sub> "
<b>BBK-2</b>	1 <sup>7</sup> / <sub>8</sub> "	1 <sup>1</sup> / <sub>4</sub> "	1 <sup>1</sup> / <sub>8</sub> "	1 <sup>3</sup> / <sub>8</sub> " x 1"
<b>BBK-3</b>	1 <sup>1</sup> / <sub>4</sub> "	1"	7/ <sub>8</sub> "	1 <sup>5</sup> / <sub>16</sub> " x 5/ <sub>8</sub> "

Our most popular kitchen suite—the Bakes pull was designed by an English cabinetmaker working in America. The goal was for a simple design that could be historic or modern as needed.

The Bakes pull is a close copy of an antique icebox handle – scaled for use on modern cabinetry. Use them on cabinetry in your kitchen, laundry room and throughout the house.

Mounted either horizontally or vertically, these pulls make a bold statement and tie all areas of your room together.

Sand cast from solid brass in England, we hand finish them here in Connecticut.





Bakes



Bourneville

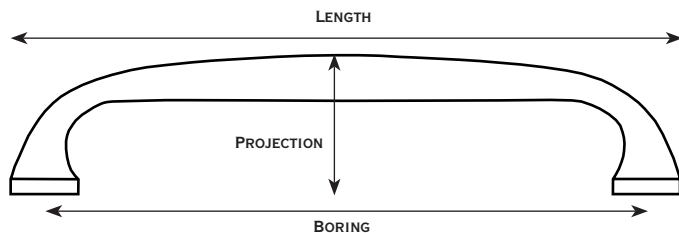




Bourneville is a small village south of Birmingham, England. You might know it today from its connection to the Cadbury family.

Historically, Bourneville had many stables and a thriving group of blacksmiths. The Bourneville range blends history through design with a profile that blends the shape of the smith's anvil with a chocolate drop.

Sand cast in the U.K., hand finished in our Connecticut factory.



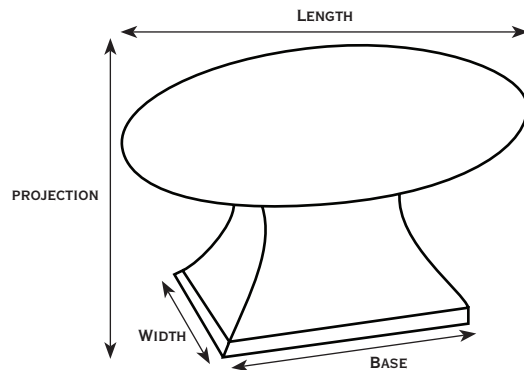
## Pull Sizes

	length	width	projection	boring
BV-1	14 <sup>3</sup> / <sub>4</sub> "	1 <sup>1</sup> / <sub>2</sub> "	2"	12"
BV-2	9 <sup>1</sup> / <sub>2</sub> "	7/ <sub>8</sub> "	1 <sup>1</sup> / <sub>2</sub> "	8"
BV-3	7 <sup>3</sup> / <sub>16</sub> "	3/ <sub>8</sub> "	1 <sup>3</sup> / <sub>16</sub> "	6"
BV-APP	14 <sup>3</sup> / <sub>16</sub> "	1 <sup>13</sup> / <sub>16</sub> "	2 <sup>3</sup> / <sub>8</sub> "	13"

*Hardware displayed in Polished Nickel finish.*

*See the rest of the finishes online at  
[www.horton-brasses.com/bourneville.asp](http://www.horton-brasses.com/bourneville.asp)*

Available  
Finishes



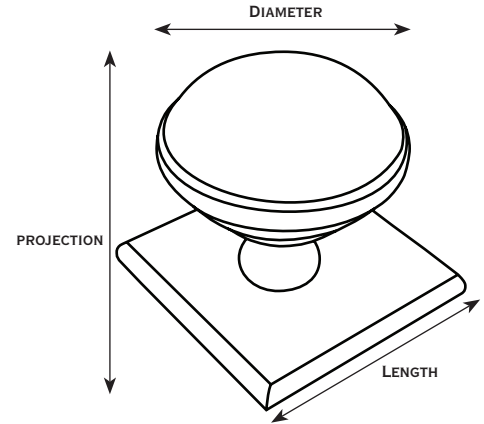
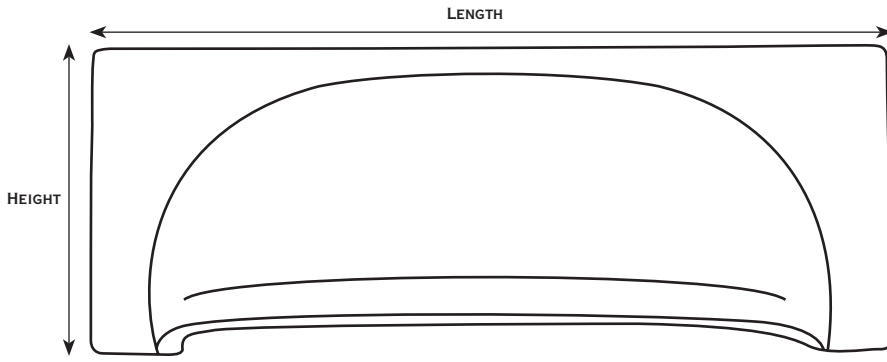
## Knob Sizes

### BVK-1 Bourneville Knob

2" length, 1<sup>1</sup>/<sub>2</sub>" base, 2<sup>1</sup>/<sub>8</sub>" projection

### BVK-2 Bourneville Knob

1<sup>3</sup>/<sub>8</sub>" length 1<sup>1</sup>/<sub>4</sub>" base, 1<sup>3</sup>/<sub>4</sub>" projection






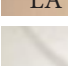


Our Queslett Bin Pulls take their name from the Queslett region of Birmingham, where they were designed.

These sand cast pulls have a luxurious texture and substantial heft. Queslett Bin Pulls will look beautiful on your cabinetry with no mounting screws visible. Mix with other knobs and pulls from the Horton Brasses hardware collection or use the Queslett in a variety of sizes.

We think the largest works both horizontally and vertically and lends itself particularly well to dishwashers & fridges. The smallest is an absolutely darling fit for spice drawers and narrow pull-outs.

Available Finishes

	
A	AL
	
B	BL
	
DA	DL
	
LA	SB
	
PN	SN

## Knob Sizes

### QK-1 Queslett Knob

$1\frac{3}{8}$ " diameter,  $1\frac{1}{4}$ " projection,  
 $\frac{1}{2}$ " base,  $1\frac{1}{2}$ " square backplate

### QK-1R Saturn Knob

$1\frac{3}{8}$ " diameter,  $1\frac{3}{8}$ " projection,  
 $\frac{1}{2}$ " base,  $1\frac{1}{4}$ " round backplate

### QK-2 Queslett Oval Knob

$1\frac{1}{4}$ " length, 1" projection

### QK-3 Queslett Oval Knob

$1\frac{1}{2}$ " length,  $1\frac{1}{4}$ " projection

## Pull Sizes

### Q-40 Small Pull

$2\frac{9}{16}$ " length,  $1\frac{5}{8}$ " height  
 $1\frac{9}{16}$ " boring,  $\frac{7}{8}$ " projection

### Q-96 Medium Pull

$4\frac{1}{4}$ " length,  $1\frac{5}{8}$ " height  
 $3\frac{3}{4}$ " boring,  $\frac{7}{8}$ " projection

### Q-203 Large Pull

9" length,  $1\frac{5}{8}$ " height  
8" boring,  $\frac{7}{8}$ " projection

*Hardware displayed in the Dark Antique finish.*

*See the rest of the finishes online at [www.horton-brasses.com/queslettpulls.asp](http://www.horton-brasses.com/queslettpulls.asp)*



Queslett

Jefferson

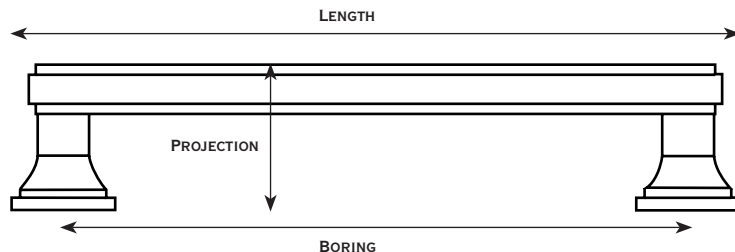


The Jefferson range looks great, but it feels even better. Precision machined in England with finishing done both in the UK and in our shop-the Jefferson may be our newest flagship. The design incorporates classic Art Deco elements and has a certain gravitas to it. Featured here in bright brass we think it also looks extraordinary in our dark antique finish-shown online.

*Hardware shown in Bright finish.  
See the rest of the finishes online at  
[www.horton-brasses.com/jeffersonpulls.asp](http://www.horton-brasses.com/jeffersonpulls.asp)*

## Pull Sizes

	length	width	projection	boring
JP-1	13 <sup>1</sup> / <sub>8</sub> "	1 <sup>3</sup> / <sub>16</sub> "	2"	12"
JP-2	9"	1"	1 <sup>1</sup> / <sub>2</sub> "	8"
JP-3	7"	1"	1 <sup>3</sup> / <sub>16</sub> "	6"
JP-4	5"	1"	1" <sup>1</sup> / <sub>16</sub>	4"
JP-APP	15 <sup>1</sup> / <sub>2</sub> "	1 <sup>3</sup> / <sub>16</sub> "	1 <sup>1</sup> / <sub>2</sub> "	14 <sup>1</sup> / <sub>2</sub> "



## Knob Sizes

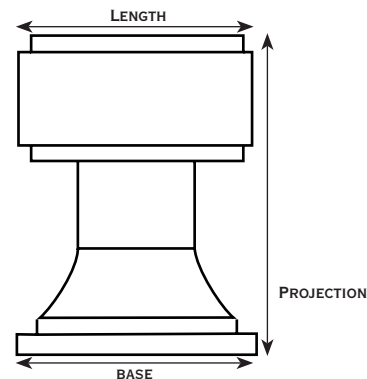
### JK-1 Jefferson Knob

1<sup>1</sup>/<sub>2</sub>" length, 1<sup>5</sup>/<sub>16</sub>" base, 2<sup>1</sup>/<sub>8</sub>" projection

### JK-2 Jefferson Knob

1<sup>1</sup>/<sub>4</sub>" length, 1" base, 1<sup>3</sup>/<sub>4</sub>" projection

Available  
Finishes



The simple clean lines of these modern drawer pulls mark this range out as one of pure classic elegance. Made from solid brass and fully machined, each brass kitchen pull is available in all seven of our house finishes.

Inspired by the Bromford Bridge located in Birmingham City Center, these brass drawer handles will suit both the modern kitchen and also high-end furniture productions.

## Pull Sizes

### BRMP-128 Bromford Pull

6" length, 1" width  
5" boring, 1<sup>3</sup>/<sub>16</sub>" projection

### BRMP-203 Bromford Pull

9" length, 1" width  
8" boring, 1<sup>5</sup>/<sub>16</sub>" projection

### BRMP-305 Bromford Pull

13<sup>3</sup>/<sub>4</sub>" length, 1<sup>1</sup>/<sub>4</sub>" width  
12" boring, 1<sup>11</sup>/<sub>16</sub>" projection

### BRMP-APP Bromford Pull

16<sup>5</sup>/<sub>16</sub>" length, 1<sup>1</sup>/<sub>2</sub>" width  
15" boring, 1<sup>13</sup>/<sub>16</sub>" projection

## Knob Size

### BRMK-32 Bromford Knob

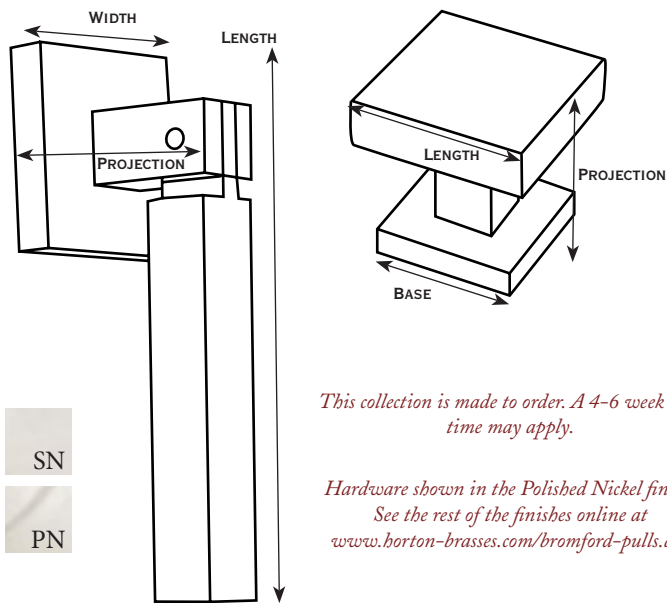
1<sup>1</sup>/<sub>4</sub>" length, 1<sup>1</sup>/<sub>4</sub>" width  
1<sup>1</sup>/<sub>4</sub>" projection, 1" base

## Drop Pull Size

### BRMD-60 Bromford Pull

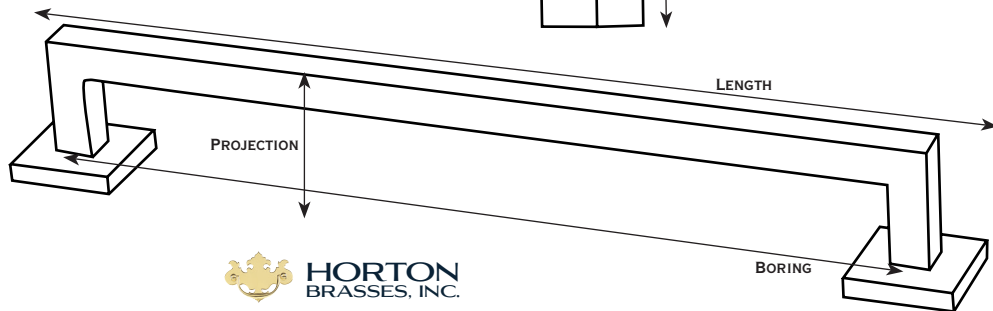
2<sup>11</sup>/<sub>16</sub>" length, 1" width  
7<sup>7</sup>/<sub>8</sub>" projection

Available  
Finishes



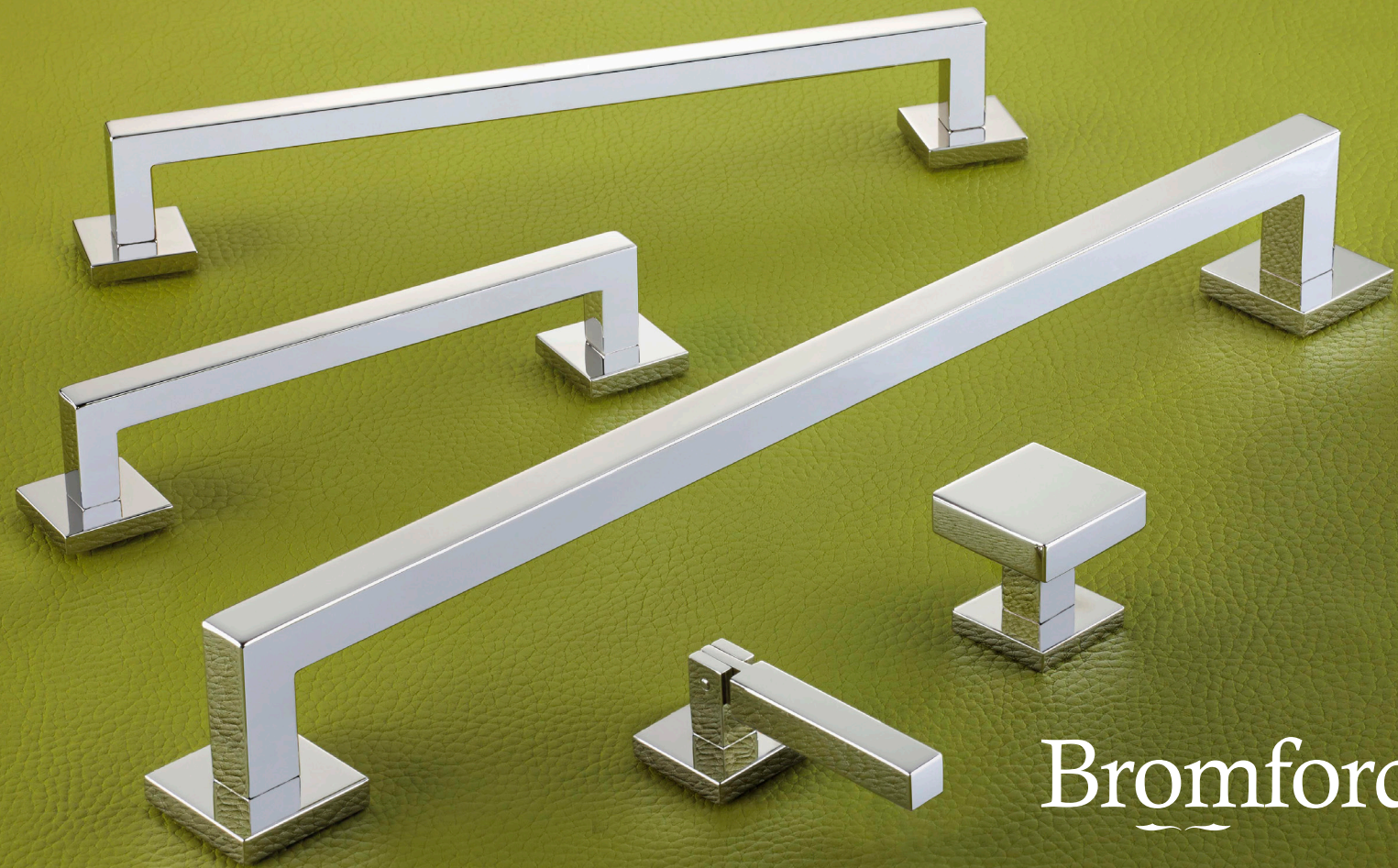
*This collection is made to order. A 4-6 week lead time may apply.*

*Hardware shown in the Polished Nickel finish. See the rest of the finishes online at [www.horton-brasses.com/bromford-pulls.asp](http://www.horton-brasses.com/bromford-pulls.asp)*



**HORTON  
BRASSES, INC.**





Bromford





Bromsgrove

Quite simply the Bromford (deconstructed). Here we have removed the square back plates from the Bromford knob and pull handle to create a strikingly simplistic addition to the family. A set of minimalist pulls and knobs that look fabulous on high laminate surfaces and with modern kitchen designs.

*Hardware shown in the Bright finish.  
See the rest of the finishes online at  
[www.horton-brasses.com/bromsgrove-pulls.asp](http://www.horton-brasses.com/bromsgrove-pulls.asp)*

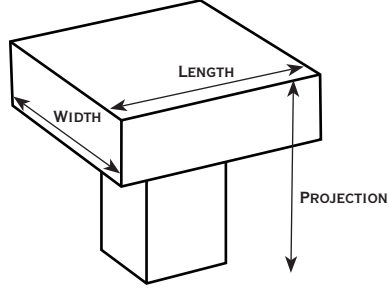
### Pull Sizes

	length	width	projection	boring
BRG-45	1 <sup>3</sup> / <sub>4</sub> "	3/ <sub>8</sub> "	1 <sup>1</sup> / <sub>4</sub> "	1 <sup>3</sup> / <sub>8</sub> "
BRG-128	5 <sup>7</sup> / <sub>16</sub> "	3/ <sub>8</sub> "	1 <sup>1</sup> / <sub>2</sub> "	5"
BRG-203	8 <sup>3</sup> / <sub>8</sub> "	3/ <sub>8</sub> "	1 <sup>1</sup> / <sub>4</sub> "	8"
BRG-305	12 <sup>1</sup> / <sub>2</sub> "	1/ <sub>2</sub> "	1 <sup>5</sup> / <sub>8</sub> "	12"
BRG-APP	15 <sup>5</sup> / <sub>8</sub> "	5/ <sub>8</sub> "	1 <sup>7</sup> / <sub>8</sub> "	15"

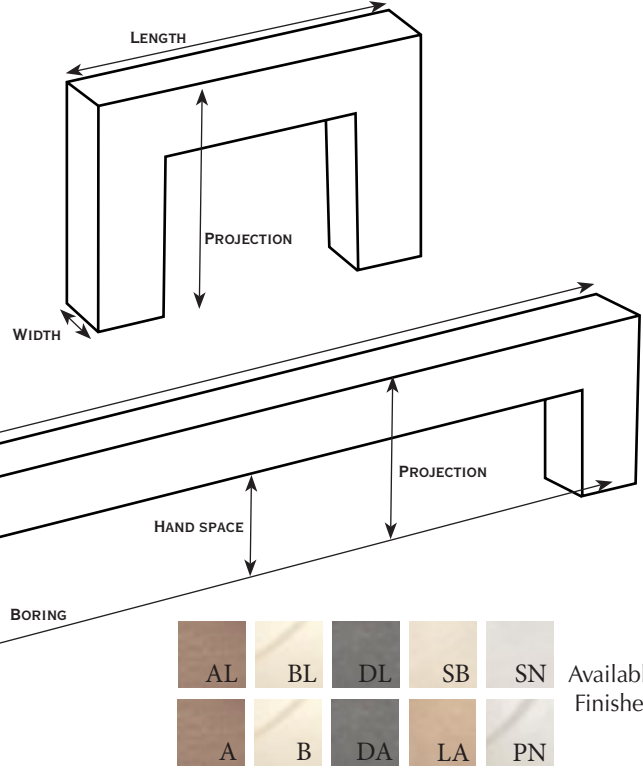
### Knob Size

#### BRGK-32 Bromsgrove Knob

1<sup>1</sup>/<sub>4</sub>" length, 1<sup>1</sup>/<sub>4</sub>" width, 1<sup>1</sup>/<sub>8</sub>" projection



*This collection is made to order. A 4-6 week lead time may apply.*



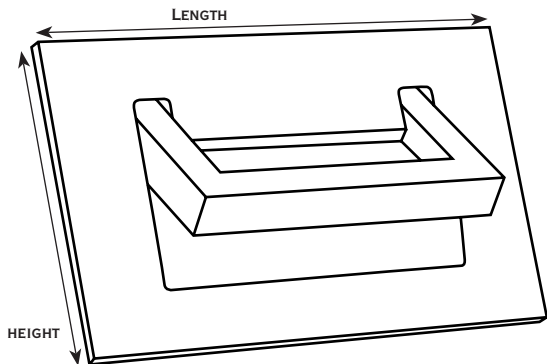
With the addition of a solid one-piece backplate to the new broms-grove set of handles, we have created another persona for this cousin of Bromford. The one piece feel of the pull handles creates a far more industrial look, that is the theme for several of our new ranges.

*This collection is made to order. A 4-6 week lead time may apply.*

*Hardware shown in the Light Antique finish.  
See the rest of the finishes online at  
[www.horton-brasses.com/bromwich-pulls.asp](http://www.horton-brasses.com/bromwich-pulls.asp)*

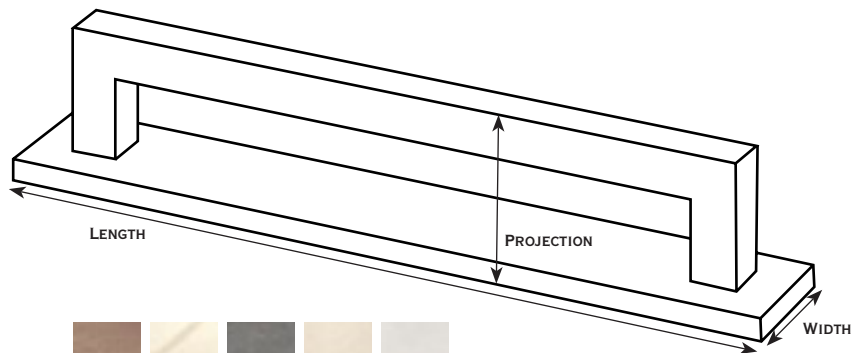
### BRW-110 Bromwich Flush Pull

4<sup>3</sup>/<sub>8</sub>" length, 1<sup>1</sup>/<sub>2</sub>" width, 2<sup>1</sup>/<sub>2</sub>" height



### Pull Sizes

	length	width	projection	boring
BRW-45	2 <sup>7</sup> / <sub>16</sub> "	1"	1 <sup>3</sup> / <sub>8</sub> "	1 <sup>3</sup> / <sub>4</sub> "
BRW-128	6"	1"	1 <sup>3</sup> / <sub>8</sub> "	5"
BRW-203	9 <sup>3</sup> / <sub>16</sub> "	1"	1 <sup>1</sup> / <sub>2</sub> "	8"
BRW-305	13 <sup>3</sup> / <sub>8</sub> "	1 <sup>1</sup> / <sub>4</sub> "	1 <sup>13</sup> / <sub>16</sub> "	12"
BRW-APP	16 <sup>3</sup> / <sub>8</sub> "	1 <sup>1</sup> / <sub>4</sub> "	1 <sup>13</sup> / <sub>16</sub> "	15"



Available  
Finishes



Bromwich





Corona



The Corona range pulls are perfect for just about anywhere in the home. These pulls are turned and fully machined out of solid brass. Available in all seven of our stock finishes and three custom lacquered finishes. There are 3 bar handle sizes as well as four matching knobs.

Available Finishes	AL	BL	DL	SB	SN
	A	B	DA	LA	PN

## Pull Sizes

### CRNP-128 Corona Pull

length  $7\frac{1}{2}$ " , width  $\frac{5}{8}$ " , projection  $1\frac{1}{2}$ "  
base  $\frac{3}{4}$ " , boring 5"

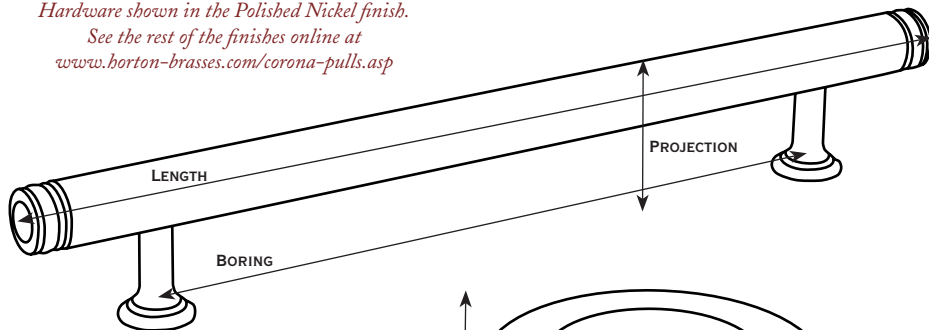
### CRNP-224 Corona Pull

length 12" , width  $\frac{3}{4}$ " , projection  $1\frac{13}{16}$ "  
base  $\frac{7}{8}$ " , boring  $8\frac{13}{16}$ "

### CRNP-APP Appliance Pull

length  $17\frac{1}{4}$ " , width  $1\frac{1}{8}$ " , projection  $1\frac{15}{16}$ "  
base 1" , boring  $14\frac{1}{2}$ "

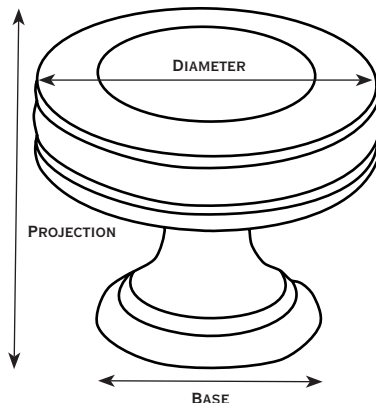
*Hardware shown in the Polished Nickel finish.  
See the rest of the finishes online at  
[www.horton-brasses.com/corona-pulls.asp](http://www.horton-brasses.com/corona-pulls.asp)*



*This collection is made to order. A 4-6 week lead time may apply.*

## Knob Sizes

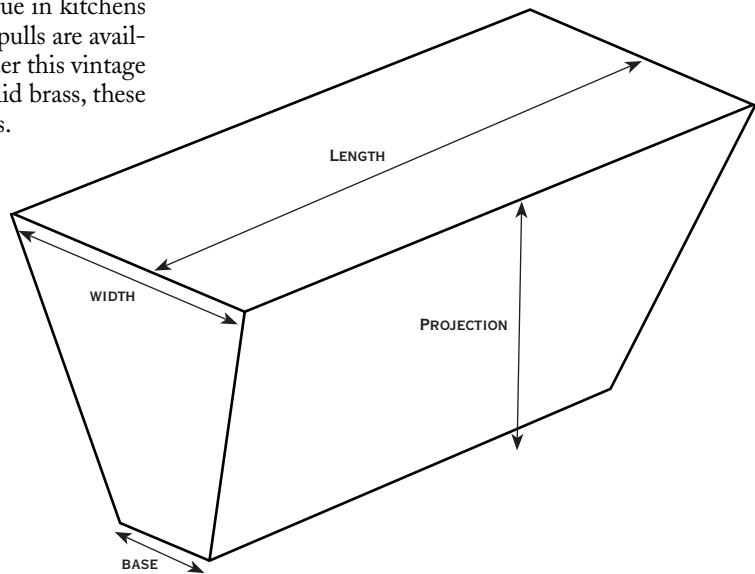
	diameter	projection	base
CRNK-25	1"	1"	$\frac{5}{8}$ "
CRNK-32	$1\frac{1}{4}$ "	$1\frac{1}{8}$ "	$\frac{13}{16}$ "
CRNK-38	$1\frac{1}{2}$ "	$1\frac{5}{16}$ "	1"
CRNK-50	2"	$1\frac{5}{16}$ "	1"



Clean linear design reminiscent of the Mid-Century Modern styles of the post war era-where full length drawer handles were the vogue in kitchens and on living room furniture. These Croxford brass cabinet pulls are available to you in one of four standard sizes. You can special order this vintage cabinet hardware in custom lengths as well. Made out of solid brass, these Croxford pulls are available in all seven of our house finishes.



*This collection is made to order. A 4-6 week lead time may apply.*



## Pull Sizes

	length	width	projection	boring	base
CRX-50	2"	$\frac{3}{4}$ "	$\frac{13}{16}$ "	$1\frac{1}{4}$ "	$\frac{5}{16}$ "
CRX-110	$4\frac{5}{16}$ "	$\frac{3}{4}$ "	$\frac{13}{16}$ "	$3\frac{3}{4}$ "	$\frac{5}{16}$ "
CRX-150	6"	$\frac{3}{4}$ "	$\frac{13}{16}$ "	5"	$\frac{5}{16}$ "
CRX-312	$12\frac{1}{4}$ "	$\frac{3}{4}$ "	$\frac{13}{16}$ "	$11\frac{5}{16}$ "	$\frac{5}{16}$ "

*Hardware shown in the Polished Nickel finish.*

*See the rest of the finishes online at [www.horton-brasses.com/croxford-cabinet-pulls.asp](http://www.horton-brasses.com/croxford-cabinet-pulls.asp)*



Croxford





Jaspette

The Jaspette pulls are a beautifully curved solid brass section pull. One piece to cut to a selection of lengths for the modern, minimalist kitchen or living room furniture. These Jaspette pulls are offered in all five of our brass finishes as well as two nickel finish options.

*Hardware shown in the Polished Nickel finish.  
See the rest of the finishes online at  
[www.horton-brasses.com/jaspette-pulls.asp](http://www.horton-brasses.com/jaspette-pulls.asp)*

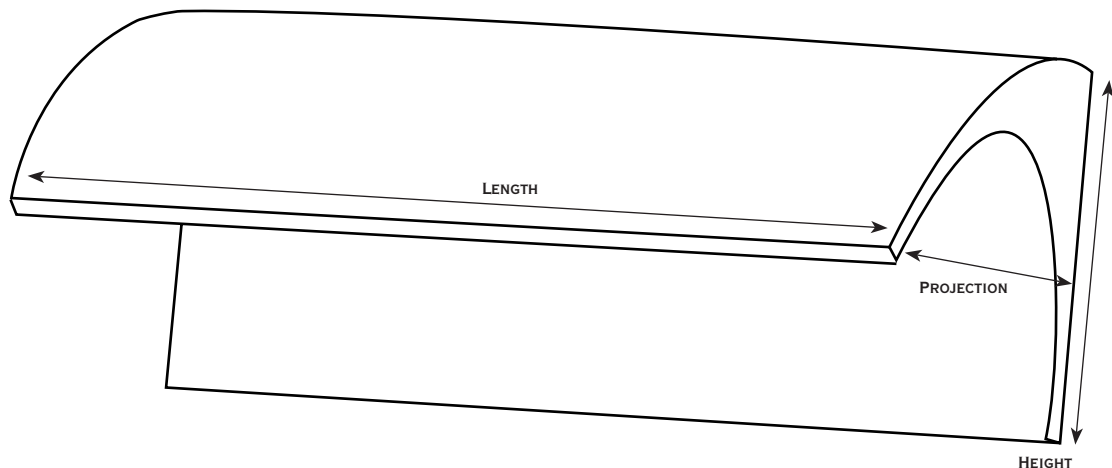
Available  
Finishes



## Pull Sizes

	length	height	projection	boing
<b>JSPE-50</b>	2"	3/4"	13/16"	1 1/4"
<b>JSPE-110</b>	4 <sup>5</sup> / <sub>16</sub> "	3/4"	13/16"	3 <sup>3</sup> / <sub>4</sub> "
<b>JSPE-180</b>	7"	3/4"	13/16"	6 <sup>5</sup> / <sub>16</sub> "
<b>JSPE-310</b>	12 <sup>3</sup> / <sub>16</sub> "	3/4"	13/16"	11 <sup>7</sup> / <sub>16</sub> "
<b>JSPE-500</b>	19 <sup>11</sup> / <sub>16</sub> "	3/4"	13/16"	17 <sup>5</sup> / <sub>8</sub> "

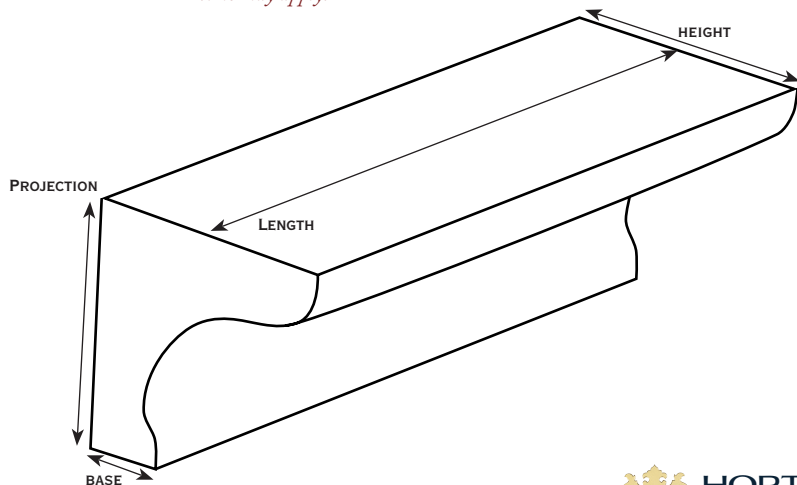
*This collection is made to order. A 4-6 week lead time may apply.*



The Longbridge pulls are named after the car manufacturing area of Birmingham that churned out millions of motor vehicles for over 100 years only to suddenly stop, lay dormant for years, before completely re-inventing itself as a center for design technology. Today it is thriving again with the magnificent Bourneville Art College and the huge Technology Park, all built on the site of the once famous car plant.

Each Longbridge pull is available in seven different finishes as well as three standard pull sizes and one matching knob.

*This collection is made to order. A 4-6 week lead time may apply.*



## Pull Sizes

### LB-76 Longbridge Pull

3" length,  $1\frac{1}{8}$ " height,  $\frac{5}{8}$ " base  
 $2\frac{1}{2}$ " boring, 1" projection

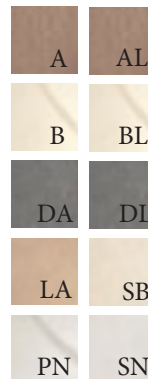
### LB-180 Longbridge Pull

7" length,  $1\frac{1}{8}$ " height,  $\frac{5}{8}$ " base  
 $6\frac{5}{16}$ " boring, 1" projection

### LB-288 Longbridge Pull

$12\frac{1}{4}$ " length,  $1\frac{1}{8}$ " height,  $\frac{5}{8}$ " base  
 $11\frac{5}{16}$ " boring, 1" projection

Available  
Finishes



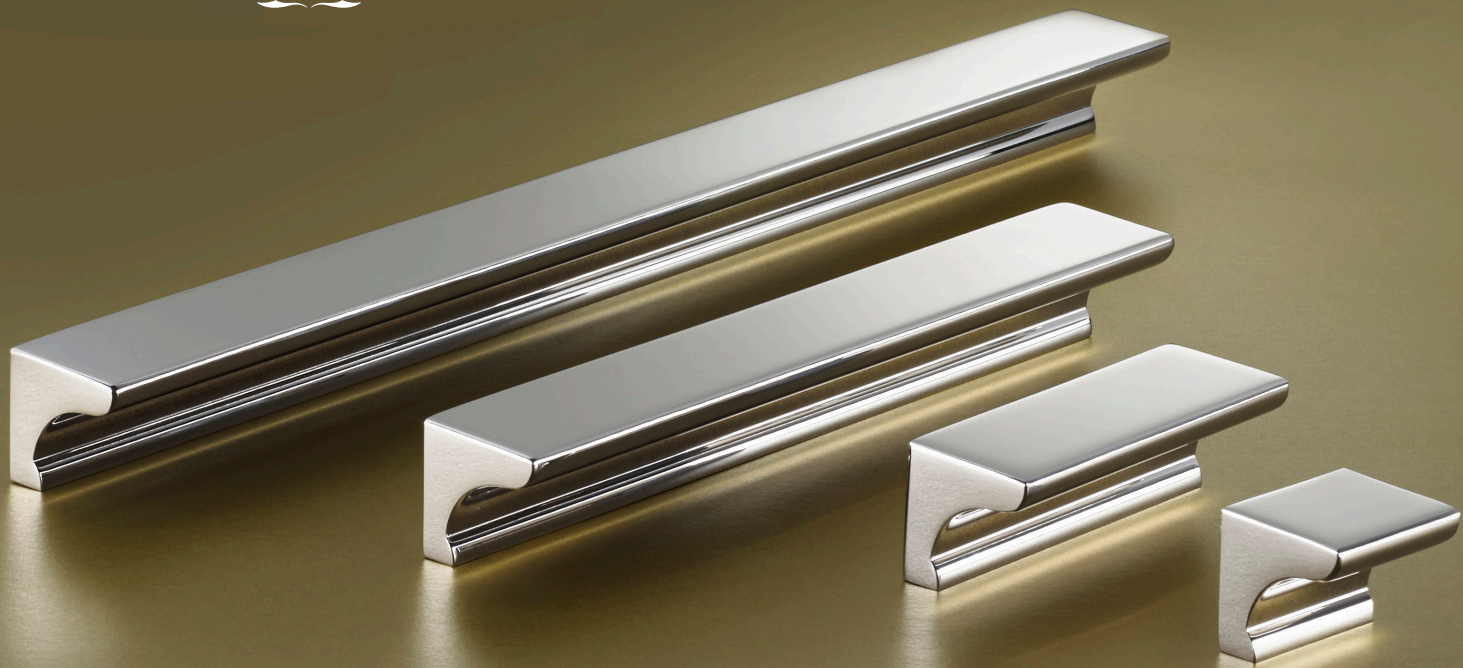
*Hardware shown in the Polished Nickel finish.  
 See the rest of the finishes online at  
[www.horton-brasses.com/longbridge-pulls.asp](http://www.horton-brasses.com/longbridge-pulls.asp)*

## Knob Size

### LBK-32 Longbridge Knob

$1\frac{1}{4}$ " length, 1" height,  
 $\frac{5}{8}$ " base, 1" projection

Longbridge





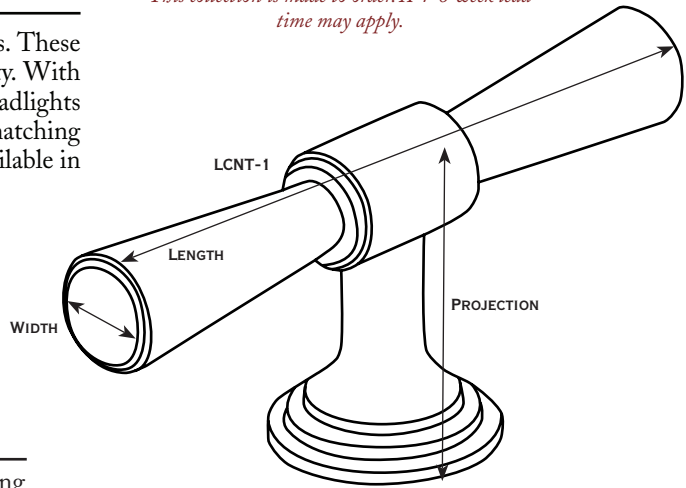
Lincoln



*This collection is made to order. A 4-6 week lead time may apply.*

The Lincoln hardware range is fully machined out of solid brass. These pulls are inspired by the iconic Lincoln tunnel in New York City. With the decorative ends of the pulls intended to portray beaming headlights emerging into the night sky. Available in three lengths with a matching T-handle pull to complete the range. These Lincoln pulls are available in five brass finishes as well as two nickel finish options.

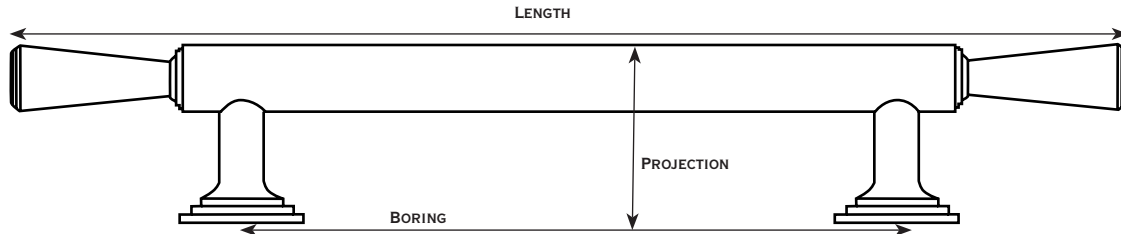
Available Finishes	AL	BL	DL	SB	SN
	A	B	DA	LA	PN



*Hardware shown in the Polished Nickel finish. See the rest of the finishes online at [www.horton-brasses.com/lincoln-pulls.asp](http://www.horton-brasses.com/lincoln-pulls.asp)*

### Pull Sizes

	length	width	projection	boring
LCN-128	8 <sup>1</sup> / <sub>2</sub> "	1 <sup>1</sup> / <sub>2</sub> "	1 <sup>3</sup> / <sub>8</sub> "	5"
LCN-224	14 <sup>1</sup> / <sub>8</sub> "	5 <sup>5</sup> / <sub>8</sub> "	1 <sup>5</sup> / <sub>8</sub> "	8 <sup>13</sup> / <sub>16</sub> "
LCN-APP	18 <sup>1</sup> / <sub>2</sub> "	1 <sup>1</sup> / <sub>8</sub> "	1 <sup>15</sup> / <sub>16</sub> "	12"
LCNT-1	3 <sup>1</sup> / <sub>4</sub> "	1 <sup>1</sup> / <sub>2</sub> "	1 <sup>5</sup> / <sub>16</sub> "	-





The Quinton ledge pull is available in four standard sizes with the option of custom lengths available for special order. Made of solid brass extrusions, each pull is hand finished in five different finishes as well as two nickel finish options.

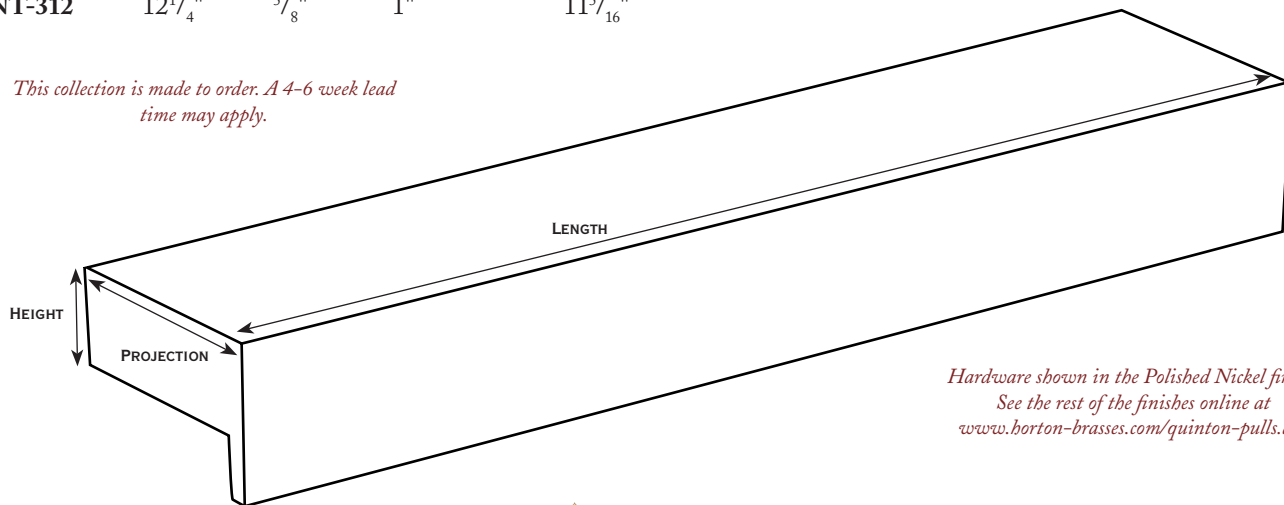
## Pull Sizes

	length	height	projection	boring
QNT-50	2"	$\frac{5}{8}$ "	1"	$1\frac{1}{4}$ "
QNT-120	$4\frac{3}{4}$ "	$\frac{5}{8}$ "	1"	$3\frac{3}{4}$ "
QNT-150	$5\frac{15}{16}$ "	$\frac{5}{8}$ "	1"	5"
QNT-312	$12\frac{1}{4}$ "	$\frac{5}{8}$ "	1"	$11\frac{5}{16}$ "

Available  
Finishes



*This collection is made to order. A 4-6 week lead time may apply.*



*Hardware shown in the Polished Nickel finish.  
See the rest of the finishes online at  
[www.borton-brasses.com/quinton-pulls.asp](http://www.borton-brasses.com/quinton-pulls.asp)*

Quinton



Nova

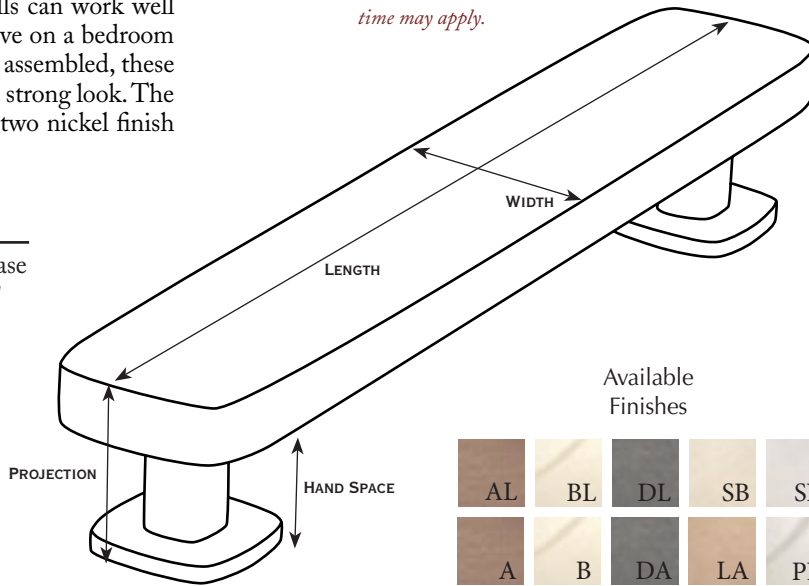
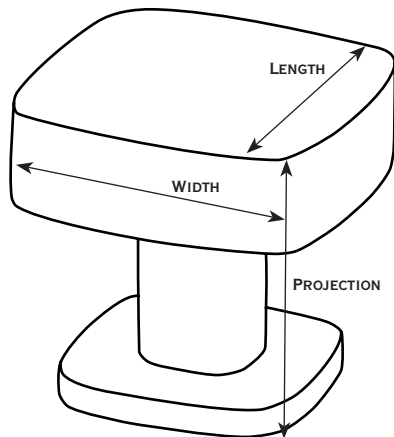


The solid masculine design of these brass furniture pulls can work well on all aspects of modern furniture and equally as effective on a bedroom suite as it is in the modern kitchen. Fully machined and assembled, these modern furniture handles give a fabulously solid feel and strong look. The Nova pulls are available in five brass finishes as well as two nickel finish options.

*This collection is made to order. A 4-6 week lead time may apply.*

## Knob Size

	length	width	projection	base
NVK-1	1 $\frac{1}{4}$ "	1 $\frac{1}{4}$ "	1 $\frac{1}{8}$ "	1"



Available Finishes



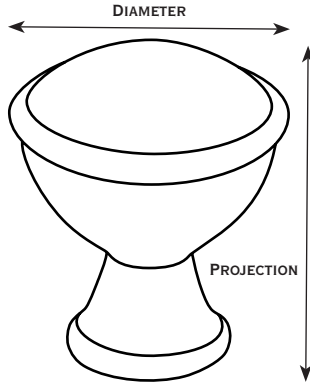
## Pull Sizes

	length	width	projection	boring
NV-180	7"	1 $\frac{1}{4}$ "	1 $\frac{1}{8}$ "	5 $\frac{13}{16}$ "
NV-285	11 $\frac{1}{4}$ "	1 $\frac{1}{4}$ "	1 $\frac{1}{4}$ "	10"

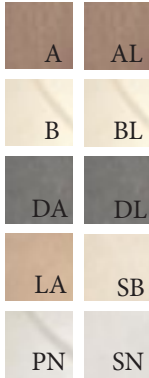
*Hardware shown in the Polished Nickel finish.*

*See the rest of the finishes online at [www.horton-brasses.com/nova-pulls.asp](http://www.horton-brasses.com/nova-pulls.asp)*

The Belgrave Middleway is a fast moving thoroughfare on the south side of Birmingham connecting Sparkbrook and Leebank, and passing through Balsall Heath. It is a main artery through many of the most cosmopolitan areas of Birmingham's inner city and is the proud home of the Birmingham Central Mosque. We have incorporated these diverse themes into our Belgrave pulls! The neo-classical design of these drawer pulls & cabinet knobs is something we feel works well with both modern and traditional designs.



Available Finishes



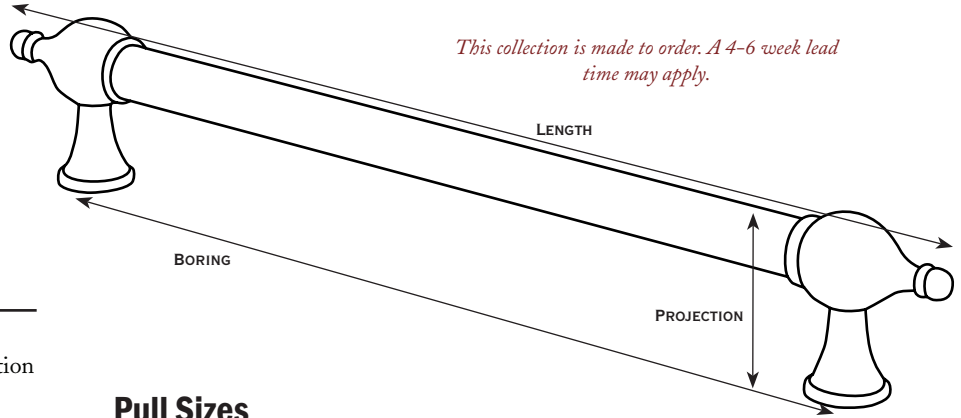
## Knob Sizes

### BEL-38 Belgrave Knob

1 $\frac{1}{2}$ " diameter, 1 $\frac{11}{16}$ " projection

### BEL-32 Belgrave Knob

1 $\frac{1}{4}$ " diameter, 1 $\frac{7}{16}$ " projection



*This collection is made to order. A 4-6 week lead time may apply.*

## Pull Sizes

	length	width	projection	boring
<b>BEL-384</b>	17 $\frac{1}{2}$ "	1"	2"	15 $\frac{1}{8}$ "
<b>BEL-256</b>	12 $\frac{7}{16}$ "	1"	2"	10"
<b>BEL-192</b>	9 $\frac{7}{16}$ "	$\frac{3}{4}$ "	1 $\frac{1}{2}$ "	7 $\frac{1}{2}$ "
<b>BEL-160</b>	8 $\frac{3}{16}$ "	$\frac{3}{4}$ "	1 $\frac{1}{2}$ "	6 $\frac{5}{16}$ "

*Hardware shown in the Dark Antique finish.  
See the rest of the finishes online at  
[www.horton-brasses.com/belgrave-pulls.asp](http://www.horton-brasses.com/belgrave-pulls.asp)*





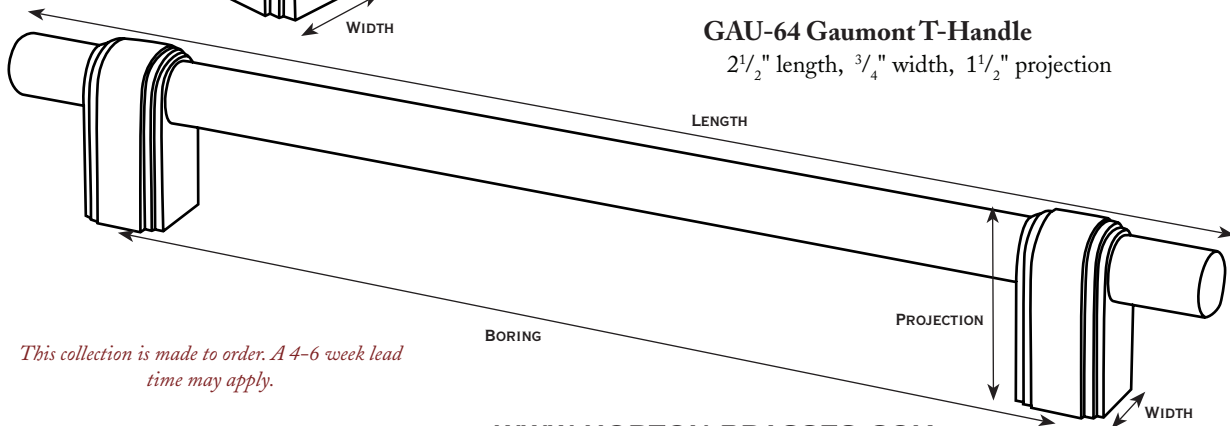
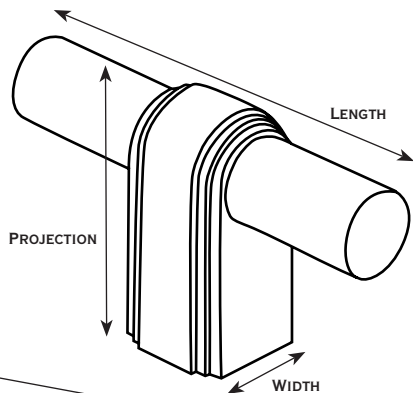
Belgrave



Gaumont



Hardware shown in the Light Antique finish.  
 See the rest of the finishes online at  
[www.horton-brasses.com/gaumont-pulls.asp](http://www.horton-brasses.com/gaumont-pulls.asp)



*This collection is made to order. A 4-6 week lead time may apply.*

Oscar Deutsch was born at Balsall Heath, Birmingham in 1893, the son of a Jewish scrap merchant. The original odeions were the popular amphitheatres of ancient Greece. The name Odeon had been appropriated by cinemas in France and Italy in the 1920's, but Deutsch was to make it his own. Odeon stands for Oscar Deutsch entertains Our Nation. Gaumont and Carlton are our tribute to a great son of Birmingham.

### Pull Sizes

	length	width	projection	boring
<b>GAU-160</b>	8 <sup>7</sup> / <sub>16</sub> "	3/ <sub>4</sub> "	1 <sup>1</sup> / <sub>2</sub> "	6 <sup>5</sup> / <sub>16</sub> "
<b>GAU-224</b>	11"	3/ <sub>4</sub> "	1 <sup>1</sup> / <sub>2</sub> "	8 <sup>13</sup> / <sub>16</sub> "
<b>GAU-304</b>	14"	3/ <sub>4</sub> "	1 <sup>1</sup> / <sub>2</sub> "	12"
<b>GAU-APP</b>	16 <sup>15</sup> / <sub>16</sub> "	1 <sup>1</sup> / <sub>8</sub> "	2 <sup>1</sup> / <sub>8</sub> "	14 <sup>1</sup> / <sub>2</sub> "

### GAU-64 Gaumont T-Handle

2<sup>1</sup>/<sub>2</sub>" length, 3/<sub>4</sub>" width, 1<sup>1</sup>/<sub>2</sub>" projection

Available  
Finishes



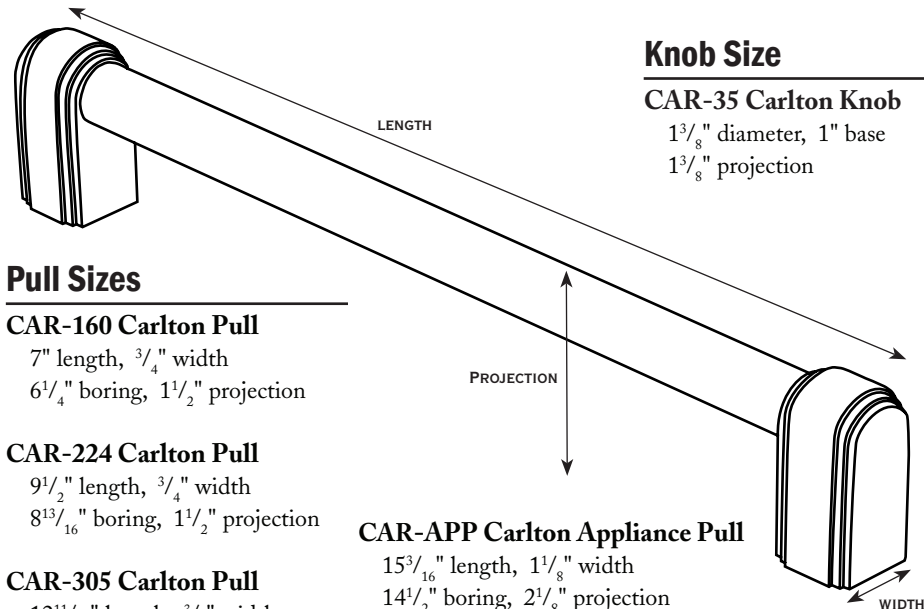
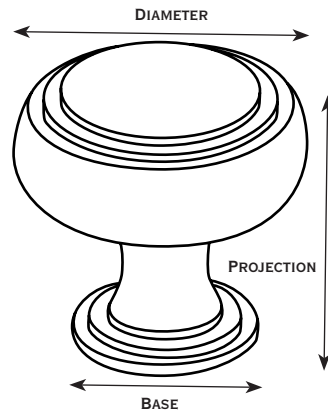
Once, every city had an Odeon cinema as a feature of its landscape. In just 10 years between the founding of the chain in Birmingham and founder Oscar Deutsch's death in 1941, Odeon cinemas opened throughout Britain—more than half of them in new buildings. With their cloud piercing towers and sweeping lines, Odeons were a promise of the shapes and things to come.

*Hardware shown in the Satin Nickel finish.  
See the rest of the finishes online at  
[www.horton-brasses.com/carlton-pulls.asp](http://www.horton-brasses.com/carlton-pulls.asp)*

### Knob Size

#### CAR-35 Carlton Knob

$1\frac{3}{8}$ " diameter, 1" base  
 $1\frac{3}{8}$ " projection



### Pull Sizes

#### CAR-160 Carlton Pull

7" length,  $\frac{3}{4}$ " width  
 $6\frac{1}{4}$ " boring,  $1\frac{1}{2}$ " projection

#### CAR-224 Carlton Pull

$9\frac{1}{2}$ " length,  $\frac{3}{4}$ " width  
 $8\frac{13}{16}$ " boring,  $1\frac{1}{2}$ " projection

#### CAR-305 Carlton Pull

$12\frac{11}{16}$ " length,  $\frac{3}{4}$ " width  
12" boring,  $1\frac{1}{2}$ " projection

#### CAR-APP Carlton Appliance Pull

$15\frac{3}{16}$ " length,  $1\frac{1}{8}$ " width  
 $14\frac{1}{2}$ " boring,  $2\frac{1}{8}$ " projection



Available  
Finishes

*This collection is made to order. A 4-6 week lead  
time may apply.*



Carlton





# Sparkbrook



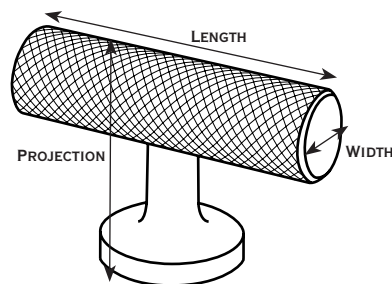
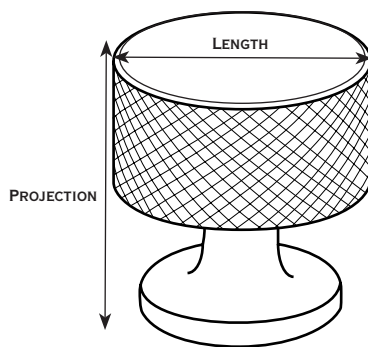
The addition of a straight knurl effect on what is an otherwise simple utilitarian design creates a hard uncompromising range of industrial style handles, ideal for the current trend for in/out kitchens that incorporate an outdoor element to cooking and dining in the home.

Three pull sizes are available with a matching knob and matching T-handle to complete the set. All of which are available in all seven of our house finishes.

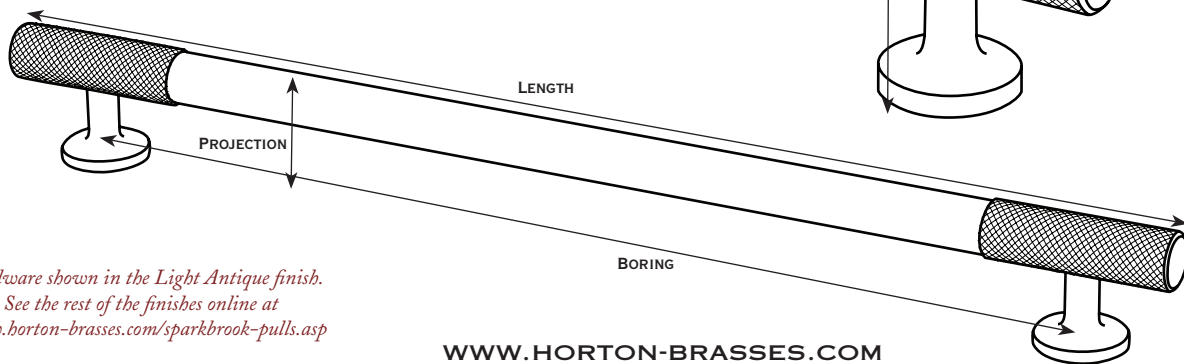
*This collection is made to order. A 4-6 week lead time may apply.*

### Pull Sizes

	length	width	projection	boring
SPA-32 Knob	1 <sup>1</sup> / <sub>4</sub> "	-	1 <sup>1</sup> / <sub>4</sub> "	-
SPA-55 T-Handle	8 <sup>7</sup> / <sub>16</sub> "	3 <sup>3</sup> / <sub>4</sub> "	1 <sup>1</sup> / <sub>2</sub> "	-
SPA-160	8 <sup>1</sup> / <sub>4</sub> "	1"	1 <sup>3</sup> / <sub>8</sub> "	6 <sup>5</sup> / <sub>16</sub> "
SPA-224	10 <sup>3</sup> / <sub>4</sub> "	1"	1 <sup>3</sup> / <sub>8</sub> "	8 <sup>13</sup> / <sub>16</sub> "
SPA-228	13 <sup>5</sup> / <sub>16</sub> "	1"	1 <sup>3</sup> / <sub>8</sub> "	11 <sup>3</sup> / <sub>8</sub> "



Available Finishes

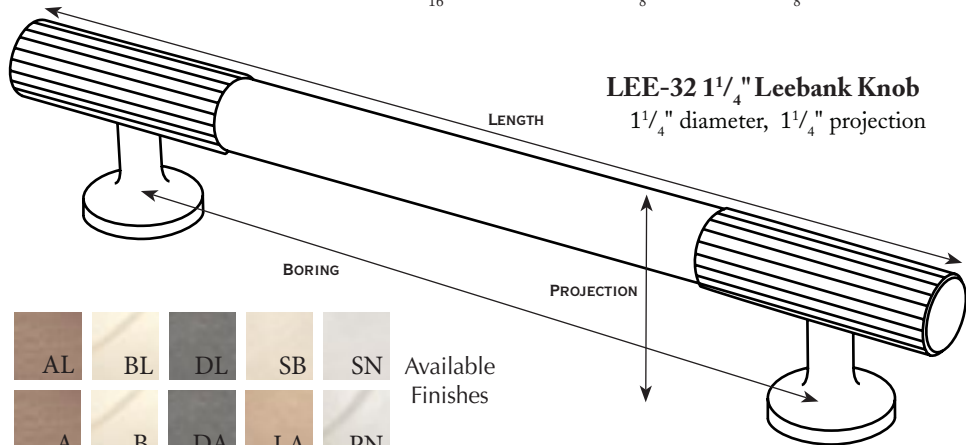


*Hardware shown in the Light Antique finish.  
See the rest of the finishes online at  
[www.horton-brasses.com/sparkbrook-pulls.asp](http://www.horton-brasses.com/sparkbrook-pulls.asp)*

A companion set for Sparkbrook, or perhaps a 'business associate' might be a better description given the engineered look created by an iconic diamond knurl. In post industrial revolution Birmingham, it was inner city areas like Leebank and Sparkbrook that provided much of the workforce for the factories of Britain's manufacturing heartland.

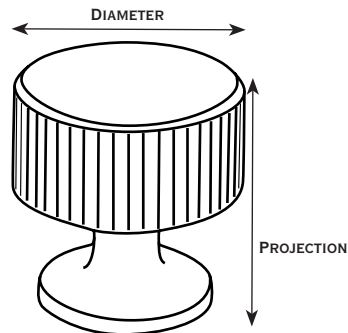
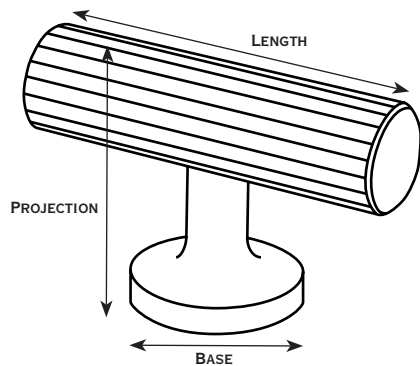
### Pull Sizes

	length	width	projection	boring
LEE-55 T-Handle	8 <sup>7</sup> / <sub>16</sub> "	3 <sup>3</sup> / <sub>4</sub> "	1 <sup>1</sup> / <sub>2</sub> "	-
LEE-160	8 <sup>1</sup> / <sub>4</sub> "	1"	1 <sup>3</sup> / <sub>8</sub> "	6 <sup>5</sup> / <sub>16</sub> "
LEE-224	10 <sup>3</sup> / <sub>4</sub> "	1"	1 <sup>3</sup> / <sub>8</sub> "	8 <sup>13</sup> / <sub>16</sub> "
LEE-288	13 <sup>5</sup> / <sub>16</sub> "	1"	1 <sup>3</sup> / <sub>8</sub> "	11 <sup>3</sup> / <sub>8</sub> "



LEE-32 1<sup>1</sup>/<sub>4</sub>" Leebank Knob  
1<sup>1</sup>/<sub>4</sub>" diameter, 1<sup>1</sup>/<sub>4</sub>" projection

*This collection is made to order. A 4-6 week lead time may apply.*



*Hardware shown in the Light Antique finish. See the rest of the finishes online at [www.horton-brasses.com/leebank-pulls.asp](http://www.horton-brasses.com/leebank-pulls.asp)*



Leebank





# Snowdrift



Available  
Finishes

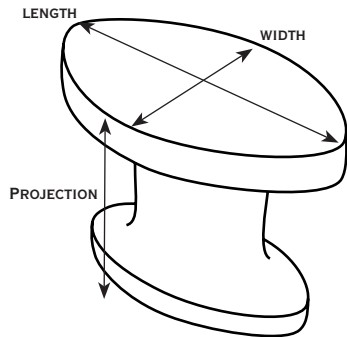


*Hardware shown in the Polished Nickel finish.  
See the rest of the finishes online at  
[www.horton-brasses.com/snowdrift-pulls.asp](http://www.horton-brasses.com/snowdrift-pulls.asp)*

### SNWK-1 Snowdrift Knob

$1\frac{13}{16}$ " length, 1" width

$1\frac{1}{8}$ " projection,  $1\frac{7}{16}$ " base

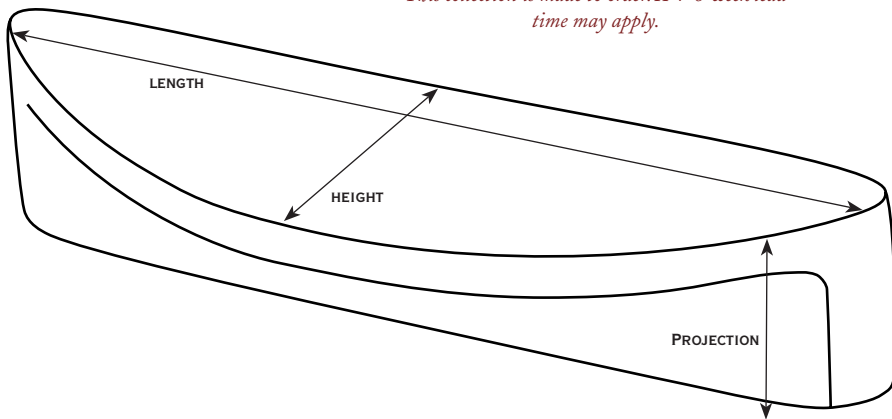


This solid masculine design can work well on all aspects of modern furniture, modern kitchens, as well as in modern bedroom suites. This brass set of hardware is fully machined and assembled individually, which gives each Snowdrift pull a solid feel and strong look. These modern brass drawer pulls are offered in all seven of our house finishes.

### Pull Sizes

	length	height	projection	boring
SNWD-107	$4\frac{1}{4}$ "	$1\frac{1}{4}$ "	1"	$2\frac{1}{2}$ "
SNWD-187	$7\frac{3}{8}$ "	$1\frac{7}{16}$ "	1"	$6\frac{5}{16}$ "
SNWD-280	11"	$1\frac{1}{2}$ "	1"	$8\frac{13}{16}$ "

*This collection is made to order. A 4-6 week lead time may apply.*



The Rotunda pull hardware line is inspired by the Rotunda, the iconic cylindrical high-rise building in Birmingham, England. Machined out of solid brass, these Rotunda pulls are available in seven finishes and come supplied with all fasteners needed for installation.

*Hardware shown in the Polished Nickel finish.  
See the rest of the finishes online at  
[www.horton-brasses.com/rotunda-pulls.asp](http://www.horton-brasses.com/rotunda-pulls.asp)*

## Pull Sizes

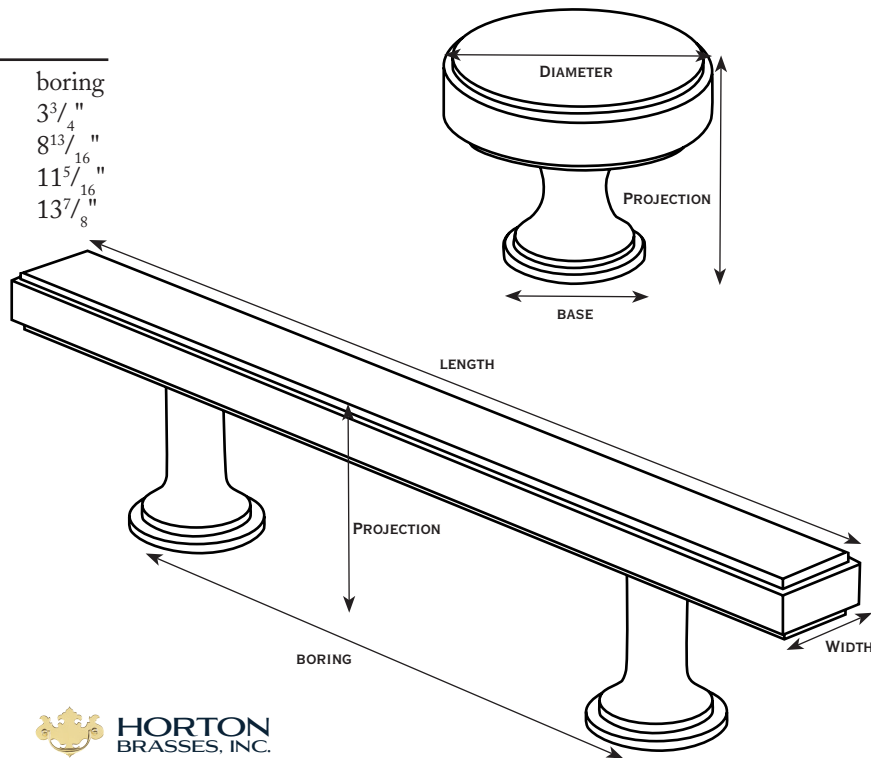
	length	width	projection	boring
RTN-96	6 <sup>5</sup> / <sub>16</sub> "	5 <sup>5</sup> / <sub>8</sub> "	1 <sup>5</sup> / <sub>16</sub> "	3 <sup>3</sup> / <sub>4</sub> "
RTN-224	11 <sup>5</sup> / <sub>16</sub> "	5 <sup>5</sup> / <sub>8</sub> "	1 <sup>5</sup> / <sub>16</sub> "	8 <sup>13</sup> / <sub>16</sub> "
RTN-288	13 <sup>7</sup> / <sub>8</sub> "	5 <sup>5</sup> / <sub>8</sub> "	1 <sup>5</sup> / <sub>16</sub> "	11 <sup>5</sup> / <sub>16</sub> "
RTN-APP	16 <sup>7</sup> / <sub>8</sub> "	1"	1 <sup>11</sup> / <sub>16</sub> "	13 <sup>7</sup> / <sub>8</sub> "

*This collection is made to order. A 4-6 week lead time may apply.*

## Knob Sizes

	base	diameter	projection
RTK-25	9 <sup>9</sup> / <sub>16</sub> "	1"	1 <sup>15</sup> / <sub>16</sub> "
RTK-32	5 <sup>5</sup> / <sub>8</sub> "	1 <sup>1</sup> / <sub>4</sub> "	1"
RTK-38	3 <sup>3</sup> / <sub>4</sub> "	1 <sup>1</sup> / <sub>2</sub> "	1 <sup>1</sup> / <sub>8</sub> "
RTK-50	1"	2"	1 <sup>1</sup> / <sub>4</sub> "

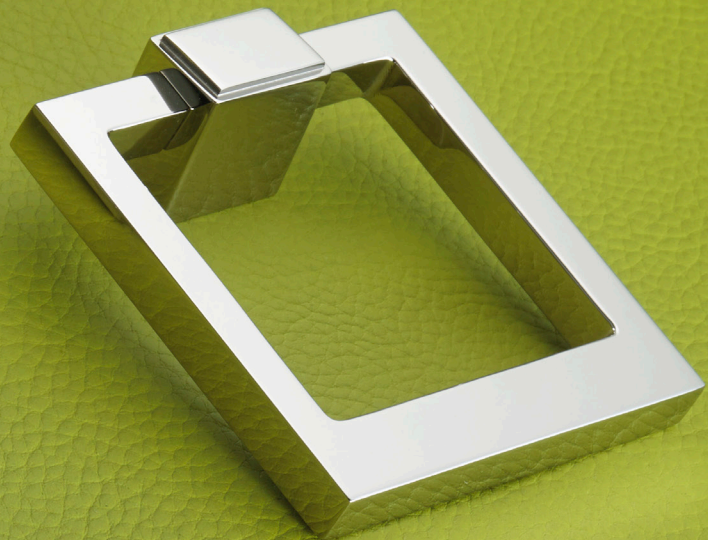
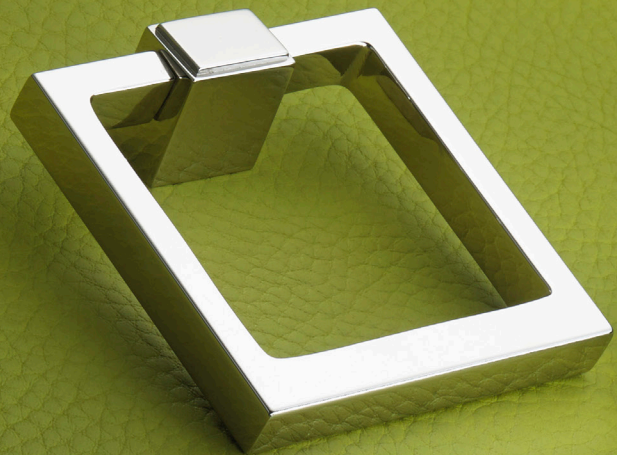
Available  
Finishes



# Rotunda







Quadrille



The word quadrille is derived from the Italian word, quadriglia meaning 'small square'. The term quadrille came to exist in the 17th century, within military parades, in which four horsemen performed special square-shaped formations. This performance became very popular, which led people to perform their own quadrille and by the 18th century it had become a lively dance with four couples, arranged in a square. These Quadrille square ring pulls are made of solid brass and come available in all seven of our house finishes.

## Pull Sizes

### QD-50 Quadrille Ring Pull

2" width, 2" height,  
 $\frac{3}{4}$ " projection

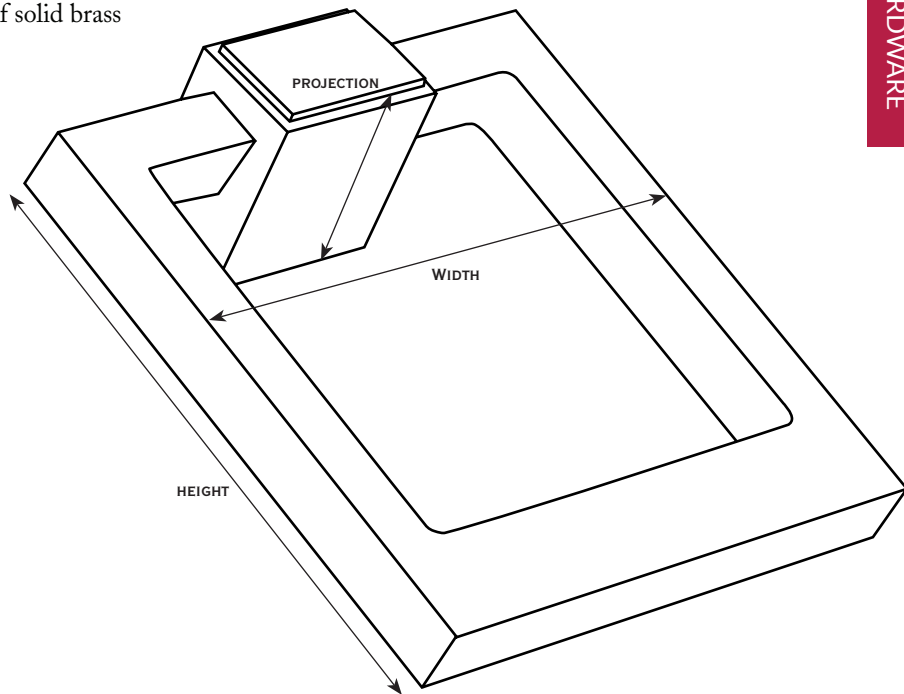
### QD-64 Quadrille Ring Pull

$2\frac{1}{2}$ " width,  $2\frac{1}{2}$ " height,  
 $\frac{13}{16}$ " projection

### QD-76 Quadrille Ring Pull

3" width, 3" height,  
 1" projection

Available Finishes	 AL	 BL	 DL	 SB	 SN
	 A	 B	 DA	 LA	 PN



*Hardware shown in the Polished Nickel finish.*

*See the rest of the finishes online at  
[www.horton-brasses.com/quadrille-square-ring-pulls.asp](http://www.horton-brasses.com/quadrille-square-ring-pulls.asp)*

*This collection is made to order. A 4-6 week lead  
 time may apply.*

The juxtaposition of the inner circle to the outer circle has created a fantastic, almost optical illusion of shape for this stylish and skillfully engineered set of furniture brass ring pulls. The Oblique ring pulls are striking on living room furniture and stunning on bold bedroom pieces. This is truly a beautiful decorative drawer handle. Available in all 7 finishes.

*Hardware shown in the Polished Nickel finish.  
See the rest of the finishes online at  
[www.horton-brasses.com/oblique-ring-pulls.asp](http://www.horton-brasses.com/oblique-ring-pulls.asp)*

*This collection is made to order. A 4-6 week lead time may apply.*

## **Pull Sizes**

### **OB-50 Oblique Ring Pull**

2" ring diameter,  $\frac{3}{4}$ " projection

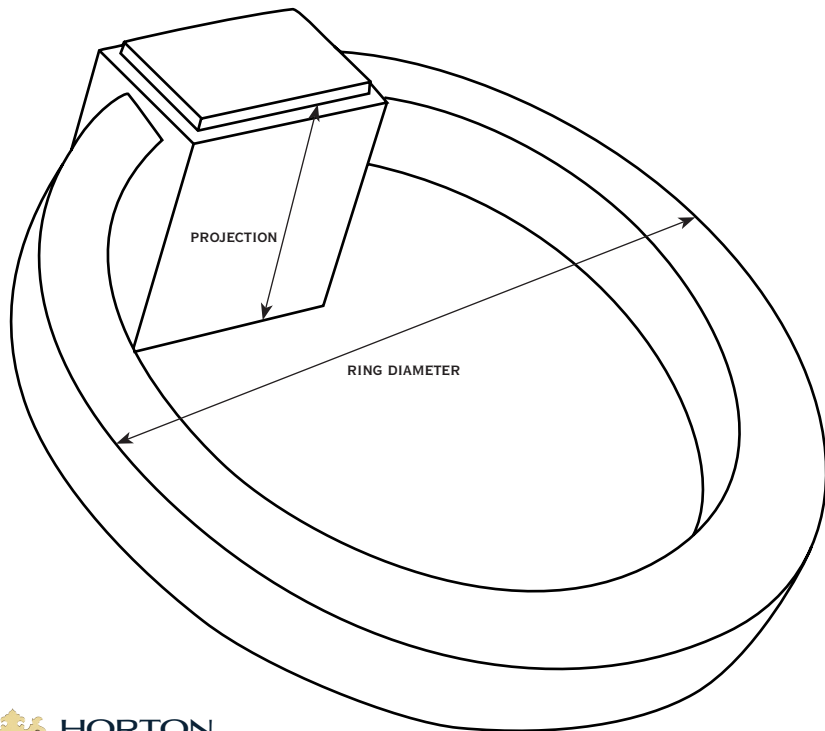
### **OB-64 Oblique Ring Pull**

$2\frac{1}{2}$ " ring diameter,  $\frac{13}{16}$ " projection

### **OB-82 Oblique Ring Pull**

$3\frac{1}{4}$ " ring diameter, 1" projection

Available  
Finishes





Oblique

# Edgbaston



Edgbaston has a reputation for being one of the most upmarket and affluent parts of Birmingham. Edgbaston means 'village of a man called Ecgbald', that derives from an old English name meaning for 'bold edge', which aptly describes these brass drawer pulls. These solid brass cabinet pulls are available in all 7 of our house finishes.

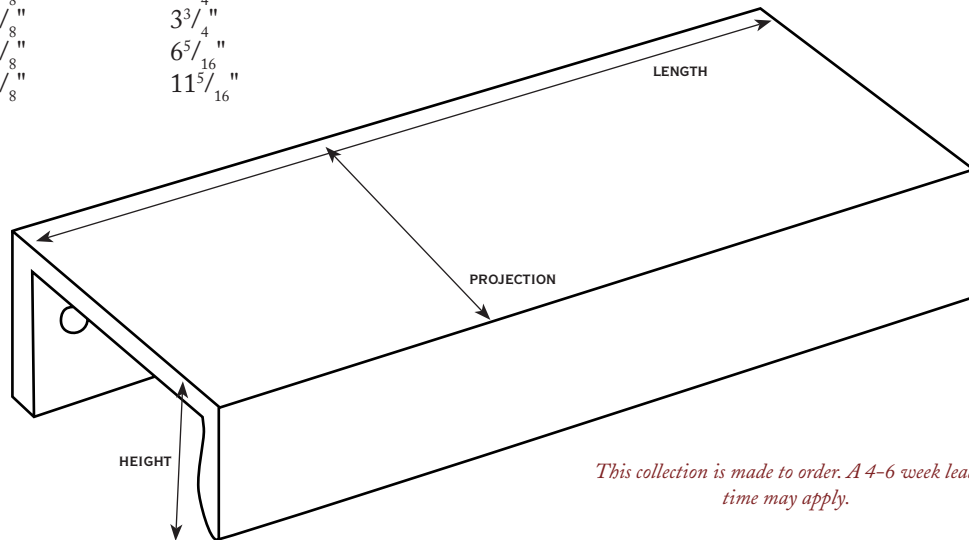
## Pull Sizes

	length	height	projection	boring
EDGB-50	2"	1"	1 <sup>7</sup> / <sub>8</sub> "	1 <sup>1</sup> / <sub>4</sub> "
EDGB-110	4 <sup>5</sup> / <sub>16</sub> "	1"	1 <sup>7</sup> / <sub>8</sub> "	3 <sup>3</sup> / <sub>4</sub> "
EDGB-180	7"	1"	1 <sup>7</sup> / <sub>8</sub> "	6 <sup>5</sup> / <sub>4</sub> "
EDGB-312	12 <sup>1</sup> / <sub>4</sub> "	1"	1 <sup>7</sup> / <sub>8</sub> "	11 <sup>5</sup> / <sub>16</sub> "

Available  
Finishes



*Hardware shown in the Polished Nickel finish.  
See the rest of the finishes online at  
[www.horton-brasses.com/edgbaston-pulls.asp](http://www.horton-brasses.com/edgbaston-pulls.asp)*



*This collection is made to order. A 4-6 week lead time may apply.*

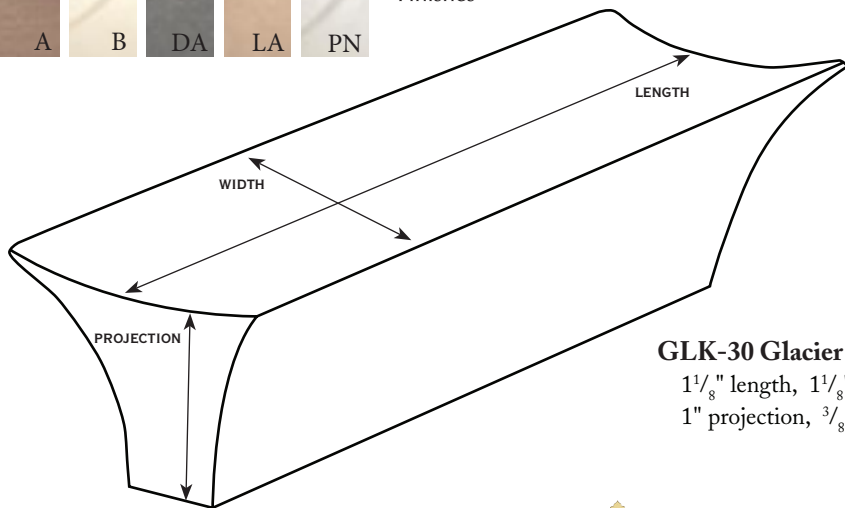


An alpine glacier that fills a valley is sometimes called a valley glacier. These Glacier pulls are inspired by these valley glaciers. The look of this fabulously evocative contemporary cabinet hardware design comes from the vision of what a valley glacier would look like if it were removed and free standing. These modern brass cabinet pulls are available in seven finishes with custom lacquering available on request.



Available  
Finishes

*This collection is made to order. A 4-6 week lead time may apply.*



### GLK-30 Glacier Knob

$1\frac{1}{8}$ " length,  $1\frac{1}{8}$ " width  
1" projection,  $\frac{3}{8}$ " base

## Pull Sizes

### GL-110 Glacier Pull

$4\frac{5}{16}$ " length, 1" width,  
 $\frac{3}{8}$ " projection,  $2\frac{3}{4}$ " boring

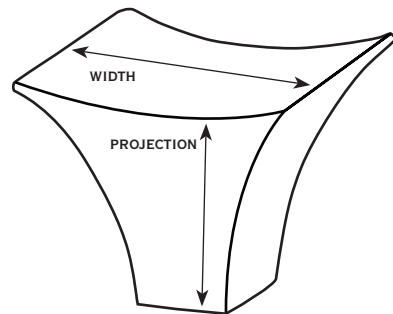
### GL-180 Glacier Pull

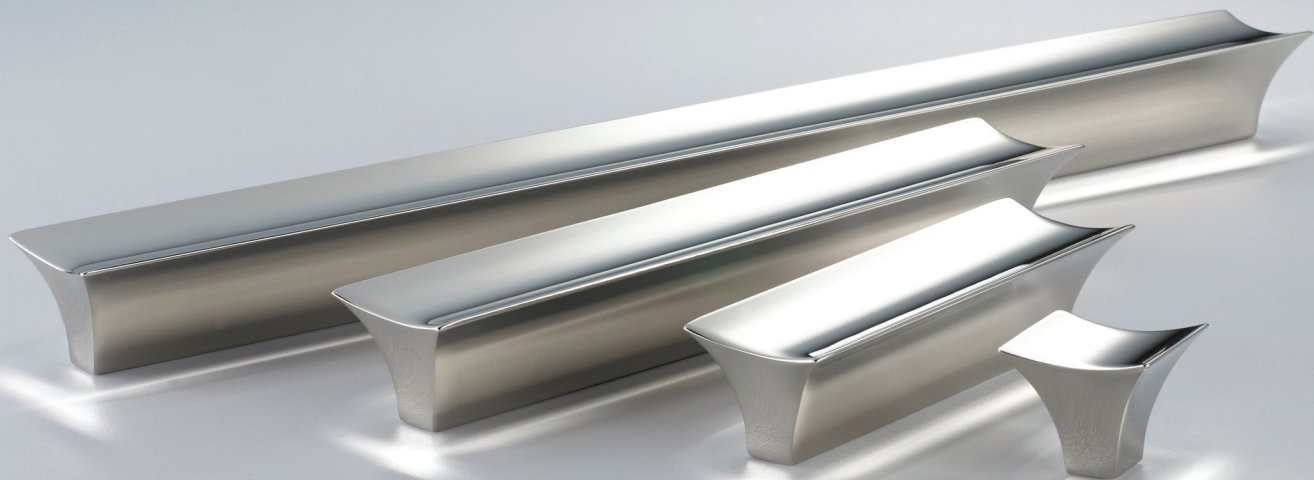
7" length, 1" width,  
 $1\frac{1}{8}$ " projection,  $5\frac{1}{2}$ " boring

### GL-312 Glacier Pull

$12\frac{1}{4}$ " length, 1" width,  
 $1\frac{1}{8}$ " projection,  $10\frac{3}{4}$ " boring

*Hardware shown in the Polished Nickel finish.  
See the rest of the finishes online at  
[www.borton-brasses.com/glacier-pulls.asp](http://www.borton-brasses.com/glacier-pulls.asp)*





Glacier

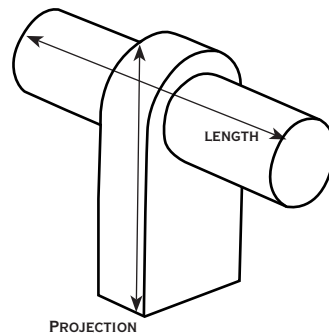


Arbar

Looking for unique modern cabinet hardware? The all new Arbar collection is available in all seven of our standard finishes as well as three custom lacquered finishes. These modern cabinet pulls are simply the finest hardware in the world. Machined from solid brass, these pulls are perfect for the modern to transitional kitchens.

### Pull Sizes

	length	width	projection	boring
ARBAR-73	4"	$\frac{3}{4}$ "	$1\frac{7}{16}$ "	$2\frac{7}{8}$ "
ARBAR-124	6"	$\frac{3}{4}$ "	$1\frac{7}{16}$ "	$4\frac{7}{8}$ "
ARBAR-175	8"	$\frac{3}{4}$ "	$1\frac{7}{16}$ "	$6\frac{7}{8}$ "
ARBAR-226	10"	$\frac{3}{4}$ "	$1\frac{7}{16}$ "	$8\frac{7}{8}$ "
ARBAR-APP	$16\frac{3}{8}$ "	$1\frac{1}{4}$ "	$2\frac{3}{16}$ "	$14\frac{1}{2}$ "



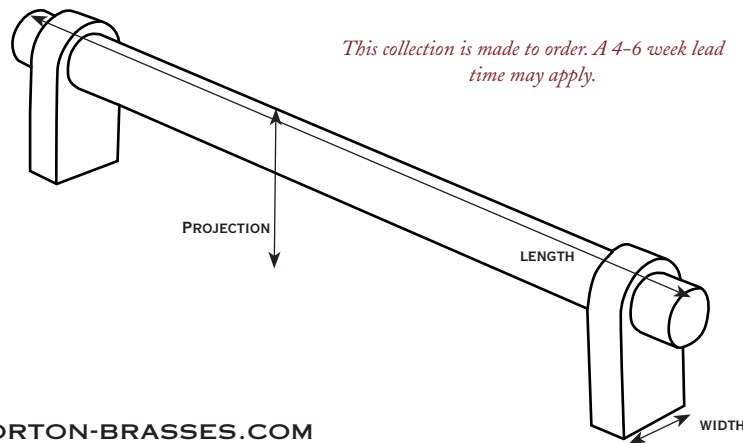
### ARBAR-T-Handle Pull

2" length,  $\frac{3}{4}$ " width,  $1\frac{7}{16}$ " projection

Available Finishes



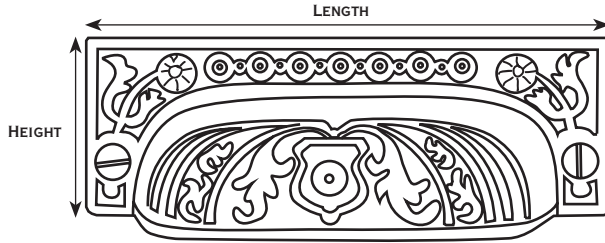
*Hardware shown in the Polished Nickel finish.  
See the rest of the finishes online at  
[www.horton-brasses.com/arbar-pulls.asp](http://www.horton-brasses.com/arbar-pulls.asp)*



*This collection is made to order. A 4-6 week lead time may apply.*



## VT-71 Victorian Bin Pull



*Hardware shown in the Light Antique finish.  
See the rest of the finishes online at  
[www.horton-brasses.com/castbrassbin3.asp](http://www.horton-brasses.com/castbrassbin3.asp)*



*VT-71 Light Antique*

Classic style is created out of traditional craftsmanship with our cast brass bin pulls. Pouring molten brass into a special sand mold is the start of this dependable process. The brass cools down inside the mold, hardening in the process. Then, the mold is broken, with the parts cut off; and the brass is ground, tumbled, and carefully cleaned by hand. The result is a smooth, antique-style cast brass bin pull that can refurbish, modify, or finish a drawer, cabinet, or another kitchen fixture.

### Dimensions

	length	height	distance between screws
VT-71	$3\frac{5}{8}$ "	$1\frac{3}{8}$ "	$3\frac{1}{4}$ "

Available  
Finishes

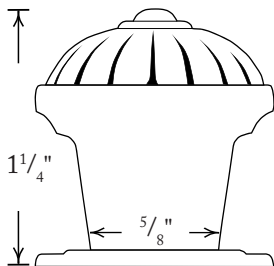


## K-13 Spool Cabinet Knob

Our Spool knobs are designed with durability and aesthetics in mind. Their radial design will draw the eye while the craftsmanship ensures a lifetime of daily use. Cast from molten brass, they are beautifully formed and heavy. Ideal for kitchen drawers and doors.

### Dimensions

	diameter	projection	base
K-13	1 $\frac{1}{4}$ "	1 $\frac{1}{4}$ "	5 $\frac{5}{8}$ "



**K-13** Actual size

### Available Finishes



*Hardware shown in the Antique finish.  
See the rest of the finishes online at  
[www.horton-brasses.com/spoolcabinet1.asp](http://www.horton-brasses.com/spoolcabinet1.asp)*



*K-13 Antique*

# Cast Brass Victorian Knobs

Perfect for new or restored pieces, our 19th century hand cast brass knobs add romance to any room. These hand cast brass knobs boast an intricate floral pattern and are available in three sizing options to fit your needs. Use them alone or with our hand cast brass bin pulls. Our hand cast brass knobs are available to you in one of seven different finishes. Choose from antique, polished brass, dark antique to even polished and brushed nickel finishes.

See the rest of the finishes online at [www.horton-brasses.com/castbrassknobs.asp](http://www.horton-brasses.com/castbrassknobs.asp)

Available Finishes

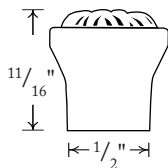


## Dimensions

	base	projection	diameter
<b>K-14</b>	5/8"	1 1/8"	1 3/8"
<b>K-15</b>	1/2"	13/16"	1"
<b>K-16</b>	1/2"	11/16"	5/8"



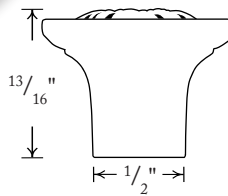
*K-16 Light Antique*



**K-16** Actual size



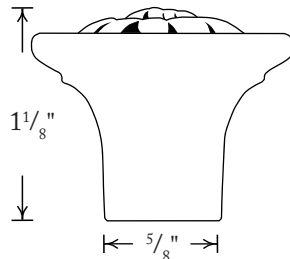
*K-15 Dark Antique*



**K-15** Actual size



*K-14 Antique*



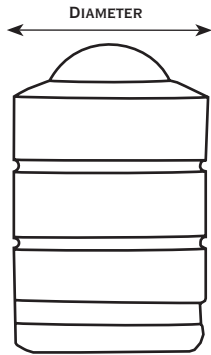
**K-14** Actual size

# BC-275 Ball Catches

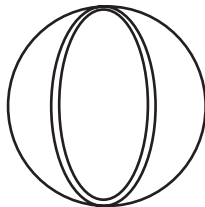
Our ball catches are high quality, spring loaded brass hardware. Machined brass casing and receptacle, stainless steel ball, and a copper spring mean no corrosion even in marine environments. Each ridge in the case is slightly larger than the ridge below so that a snug press fit can be achieved.

## Dimensions

	diameter
BC-275	$\frac{7}{16}$ "



BC-275



Available  
Finishes





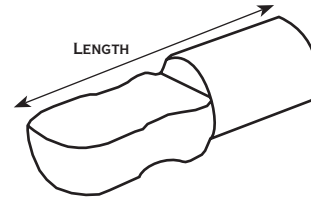
# Solid Brass Shelf Pegs

At last, a shelf support that enhances quality workmanship. The shelf supports can be used alone, or with the SP-20 press fit sleeve. Sleeves line the support hole and make a very neat installation while also preventing wear so your furniture will last for generations.

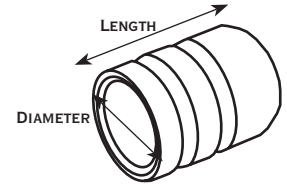
## Dimensions

	length	diameter	per package
SP-20	$\frac{7}{8}$ "	$\frac{5}{16}$ "	12
SP-10	$\frac{3}{4}$ "	$\frac{1}{4}$ "	4

Available  
Finishes



SP-10



SP-20



