

HORTON BRASSES, INC.

MAKERS OF FINE HARDWARE

~ SINCE 1936 ~

Digital Catalog 2019

Ring Pulls



RP-2 Victorian Ring Pull

Embodying styles of the late 19th century, angular Victorian ring pulls embellish and enhance furniture, drawers, cabinets and other aspects of your home with a distinctive period look. Horton Brasses remains true to period sensibilities, and for seamlessly blending in with decor, all Victorian style ring pulls and knobs are finished by hand in one of our five brass colors.

Dimensions

	ring diameter	back plate	height	projection
RP-2	1 $\frac{1}{2}$ "	1 $\frac{1}{4}$ "	1 $\frac{3}{4}$ "	$\frac{5}{8}$ "

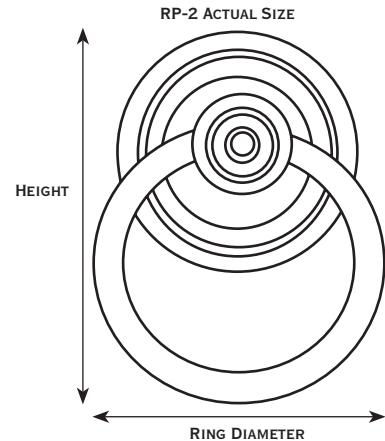


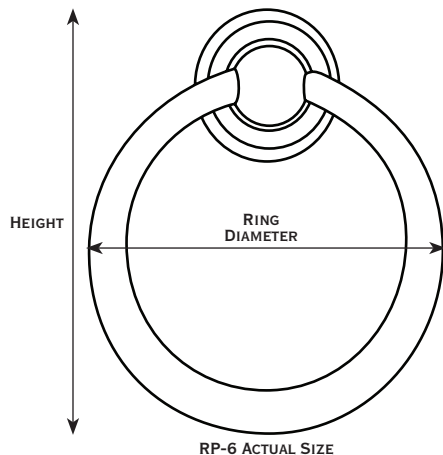
RP-2 Light Antique

Available Finishes



*Hardware shown in the Light Antique finish.
See the rest of the finishes online at
www.horton-brasses.com/victorianring.asp*





*Hardware shown in the Polished Nickel finish.
See the rest of the finishes online at
www.horton-brasses.com/ringpulls-1.asp*

Available
Finishes



Round Ring Pulls

Round ring pulls are available in a wide range of sizes. The small rings can be used on spice drawers in a kitchen or in a media room for CD storage; use the larger ones on doors or drawers throughout a house. We make a finish for every decor. Made in England and finished by hand in our Connecticut factory.

Dimensions

	height	projection	ring diameter
RP-3	1 ¹ / ₈ "	1 ¹ / ₂ "	7 ⁷ / ₈ "
RP-4	1 ¹ / ₂ "	1 ¹ / ₂ "	1 ⁵ / ₁₆ "
RP-5	1 ⁷ / ₈ "	1 ¹ / ₂ "	1 ⁵ / ₈ "
RP-6	2 ¹ / ₈ "	1 ¹ / ₂ "	1 ⁷ / ₈ "

Oval Ring Pulls

Oblong, elegant, ovals—a new twist on an old favorite. Made from solid brass forgings in England, we offer them in two sizes and seven different finishes.

We make a finish for every decor. Semi bright and satin nickel are soft, warm finishes, while polished brass and polished nickel reflect and sparkle; daring the admirer to come closer. Antique brass and dark antique are dark finishes and will appeal to customers looking for that timeless piece of hardware.

Dimensions

	width	projection	height
OP-1	$1\frac{15}{16}$ "	$\frac{1}{2}$ "	$1\frac{5}{8}$ "
OP-2	$2\frac{3}{8}$ "	$\frac{5}{8}$ "	$1\frac{15}{16}$ "

*Hardware shown in the Polished Nickel finish.
See the rest of the finishes online at
www.horton-brasses.com/ovalringpulls.asp*

Available
Finishes

