

HORTON BRASSES, INC.

MAKERS OF FINE HARDWARE

~ SINCE 1936 ~

Digital Catalog 2019

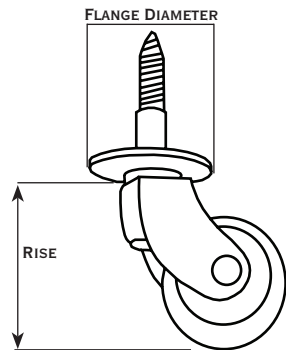
Table Hardware



Pin Style Casters

Our pin style casters have a press fit shank. This shank would be inserted into a $\frac{1}{4}$ " hole, and the deep wood screw style threads on the CA-4's will grip the hole as the wood expands and contracts.

CA-4 has a tapered 1" press fit pin for secure anchoring and the flange has 3 screws for mounting.



CA-4 Antique



See the rest of the finishes online at www.horton-brasses.com/pinstylecasters.asp

Dimensions

	flange diameter	wheel diameter	rise
CA-4 $\frac{3}{4}$ "	$\frac{3}{4}$ "	$\frac{3}{4}$ "	$1\frac{5}{16}$ "
CA-4 1"	1"	1"	$1\frac{7}{16}$ "
CA-4 $1\frac{1}{4}$ "	$1\frac{1}{4}$ "	$1\frac{1}{8}$ "	$1\frac{3}{4}$ "

Cup Casters for Tapered Legs

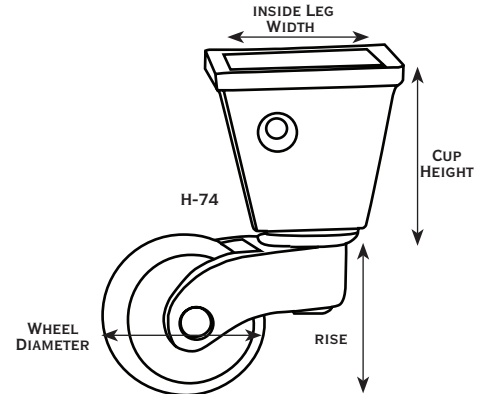
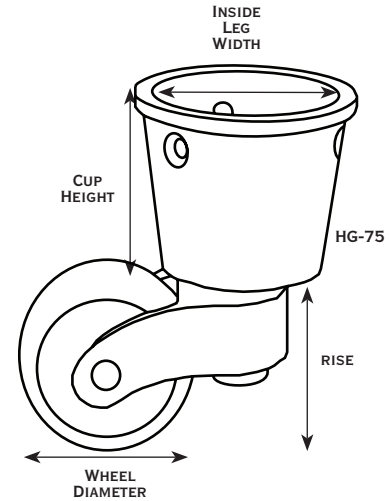
Not just a functional component of furniture, casters are a stylish and attractive addition to the base of a table, chair, or sofa and even modernize antique reproduction furniture without appearing anachronistic. A choice of finishes, as well as shapes, allows you to achieve the perfect blend between the furniture and hardware. Our casters are solid brass castings made in England and hand finished in our Connecticut factory. These are the finest casters on the market.

Round Cup Caster Dimensions

	rise	inside leg width	cup height	wheel diameter
HG-75 $\frac{3}{4}$ "	1"	$\frac{3}{4}$ "	$\frac{5}{8}$ "	$\frac{13}{16}$ "
HG-75 $\frac{7}{8}$ "	$1\frac{1}{8}$ "	$\frac{7}{8}$ "	$\frac{3}{4}$ "	$\frac{13}{16}$ "
HG-75 1"	$1\frac{1}{8}$ "	1"	$\frac{3}{4}$ "	1"
HG-75 $1\frac{1}{8}$ "	$1\frac{3}{8}$ "	$1\frac{1}{8}$ "	$\frac{7}{8}$ "	$1\frac{1}{8}$ "
HG-75 $1\frac{1}{4}$ "	$1\frac{1}{4}$ "	$1\frac{1}{4}$ "	1"	$1\frac{1}{8}$ "

Square Cup Caster Dimensions

	rise	inside leg width	cup height	wheel diameter
H-74 $\frac{3}{4}$ "	1"	$\frac{3}{4}$ "	$\frac{5}{8}$ "	$\frac{3}{4}$ "
H-74 $\frac{7}{8}$ "	1"	$\frac{7}{8}$ "	$\frac{3}{4}$ "	$\frac{3}{4}$ "
H-74 1"	$1\frac{1}{8}$ "	1"	$\frac{7}{8}$ "	1"
H-74 $1\frac{1}{8}$ "	$1\frac{1}{4}$ "	$1\frac{1}{8}$ "	1"	$1\frac{1}{8}$ "
H-74 $1\frac{1}{4}$ "	$1\frac{1}{4}$ "	$1\frac{1}{4}$ "	$1\frac{1}{4}$ "	$1\frac{1}{8}$ "



*Hardware shown in the Polished Nickel finish.
See the rest of the finishes online at
www.horton-brasses.com/cupcastersfor.asp*

Available
Finishes



HG-75 Polished Nickel

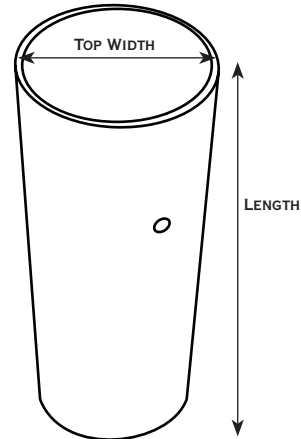


H-74 Polished Nickel

LC-1 Mid-Century Modern Leg Caps

Made from solid brass, our leg caps are the perfect accent piece to all mid century modern legs. The tapered cap slides onto the table leg and is attached securely by a brass pin that taps into the wood. Offered in seven different finishes.

*Hardware shown in the Antique finish.
See the rest of the finishes online at
www.horton-brasses.com/LC-1.asp*



LC-1 ACTUAL SIZE

Available
Finishes



Dimensions

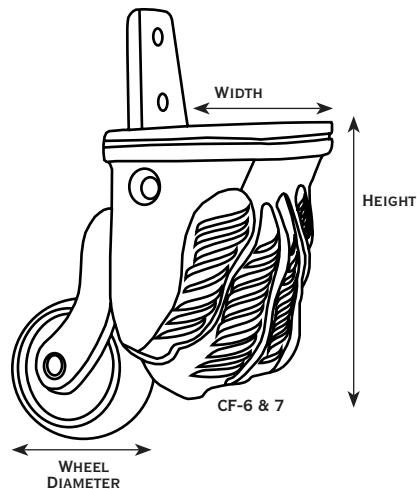
	length	top width	bottom width
LC-1	2"	$\frac{15}{16}$ "	$\frac{11}{16}$ "

Pedestal Casters

Pedestal tables often use wheels to facilitate their movement, because when you add leaves, you must slide the bases apart. Decorative caps add grace and beauty to table legs, plus they protect the tables from shoes.

Dimensions

	width	height	wheel diameter	rise
CF-6	1 $\frac{7}{16}$ "	2 $\frac{1}{2}$ "	1 $\frac{1}{8}$ "	1 $\frac{3}{16}$ "
CF-7	1 $\frac{7}{8}$ "	2 $\frac{2}{4}$ "	1 $\frac{3}{8}$ "	1 $\frac{5}{8}$ "



Available
Finishes



*Hardware shown in the Antique finish.
See the rest of the finishes online at
www.borton-brasses.com/pedestalbase.asp*

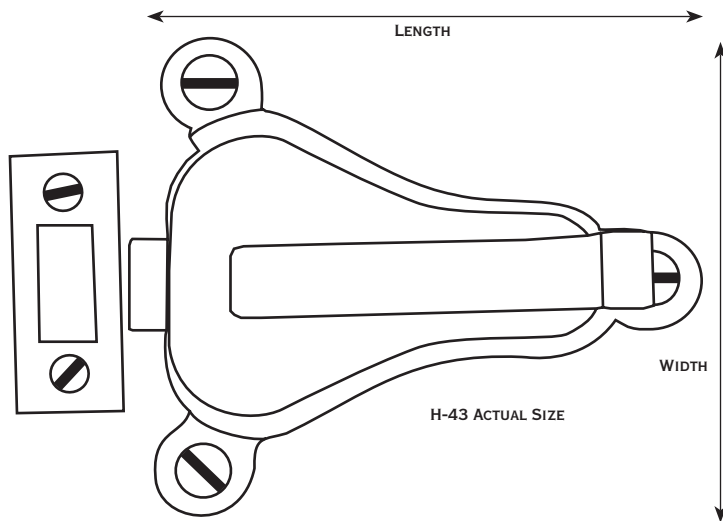


H-43 Banjo Shaped Tip-Table Catch

Tip tables offer convenience for homeowners: With an attractive presentation, the top folds for easy and efficient storage. But, when in use, staying flat and stable is essential for the top, and our tip table catches offer an effective mechanism for doing so. Installed onto the underside of such furniture, tip table catches keep the top in a firm, usable position. When the parts of the catch are not snapped together, the tabletop sits upright.



*Hardware shown in the Antique finish.
See the rest of the finishes online at
www.horton-brasses.com/tiptablecatch-1.asp*



Dimensions

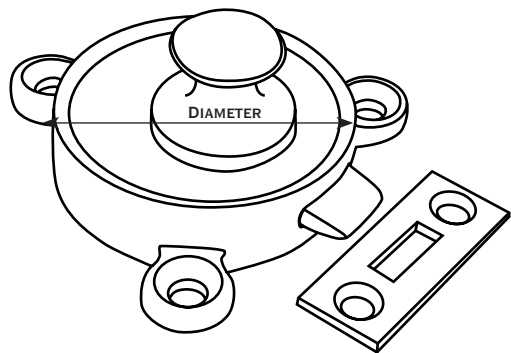
	length	width
H-43	3"	2 $\frac{1}{2}$ "

Available
Finishes



H-48 Round Shaped Tip-Table Catch

Tip tables offer convenience for homeowners: With an attractive presentation, the top folds for easy and efficient storage. But, when in use, staying flat and stable is essential for the top, and our tip table catches offer an effective mechanism for doing so. Installed onto the underside of such furniture, tip table catches keep the top in a firm, usable position. When the parts of the catch are not snapped together, the tabletop sits upright.

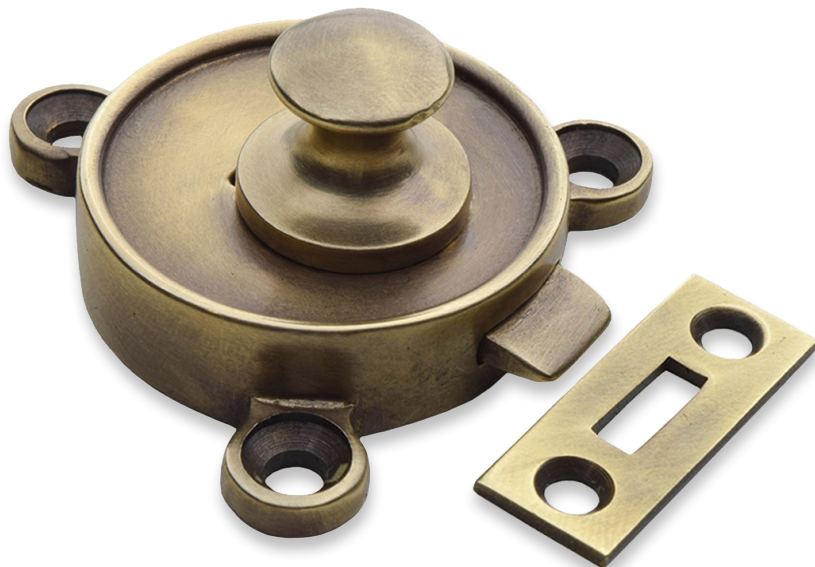


*Hardware shown in the Light Antique finish.
See the rest of the finishes online at
www.horton-brasses.com/typetablecatch-1.asp*

Dimensions

	diameter
H-48	1 $\frac{1}{4}$ "

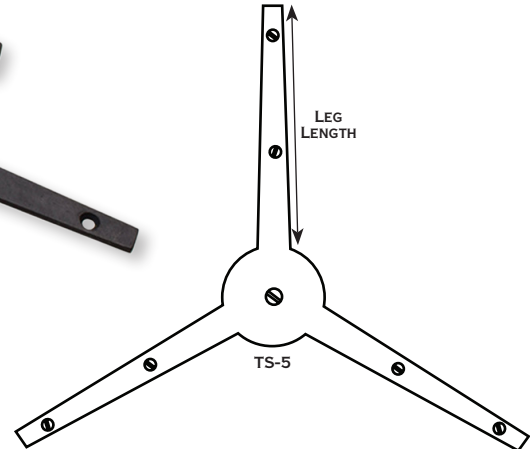
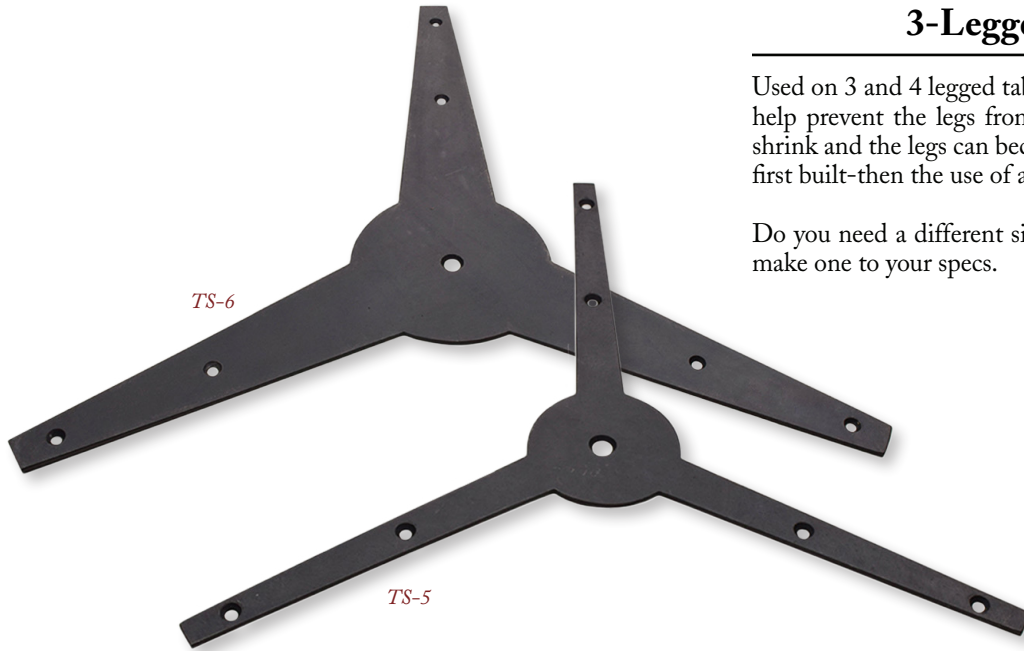
Available
Finishes



3-Legged Table Spiders

Used on 3 and 4 legged table bases, table spiders add strength and help prevent the legs from splaying. As tables age, the dovetails shrink and the legs can become more mobile than when they were first built-then the use of a spider becomes important.

Do you need a different size? Provide us with a pattern and we'll make one to your specs.



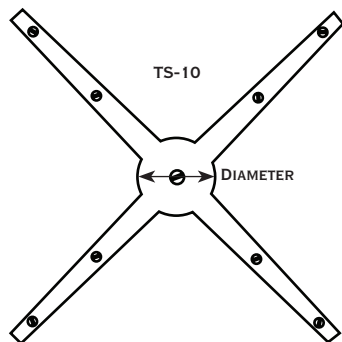
Dimensions

	leg length	leg width at end	leg width at base	diameter center
TS-5	5"	$\frac{5}{16}$ "	$\frac{9}{16}$ "	$1\frac{3}{4}$ "
TS-6	6"	$\frac{1}{2}$ "	$1\frac{3}{8}$ "	$2\frac{3}{4}$ "

4-Legged Table Spiders

Used on 3 and 4 legged table bases, table spiders add strength and help prevent the legs from splaying. As tables age, the dovetails shrink and the legs can become more mobile than when they were first built-then the use of a spider becomes important.

Do you need a different size? Provide us with a pattern and we'll make one to your specs.



Dimensions

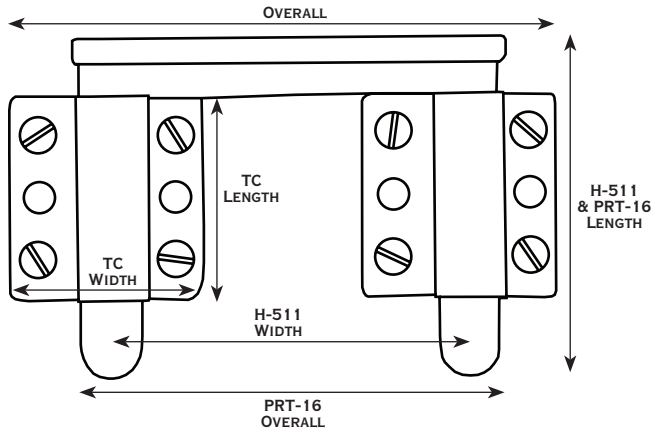
	leg length	leg width at end	leg width at base	diameter center
TS-10	5"	$\frac{5}{16}$ "	$\frac{9}{16}$ "	$1\frac{3}{4}$ "
TS-11	6"	$\frac{1}{2}$ "	$1\frac{3}{8}$ "	$2\frac{3}{4}$ "

H-511 Cast Brass Table Yoke

Table yokes (or forks) hold the leaves of banquet tables together and are mounted on the underside of the table.

Table yokes are measured from center to center of the 'legs' of the yoke. You may order the complete assembly, or just the forks, or just the clips.

Available
Finishes



Dimensions

	length	width	overall
H-511	2 $\frac{1}{4}$ "	2 $\frac{1}{2}$ "	3 $\frac{3}{8}$ "
PRT-16	2 $\frac{1}{4}$ "	3 $\frac{3}{8}$ "	2 $\frac{7}{8}$ "
TC	1 $\frac{3}{8}$ "	1 $\frac{1}{4}$ "	-

*Hardware shown in the Antique finish.
See the rest of the finishes online at
www.horton-brasses.com/tableyokes.asp*

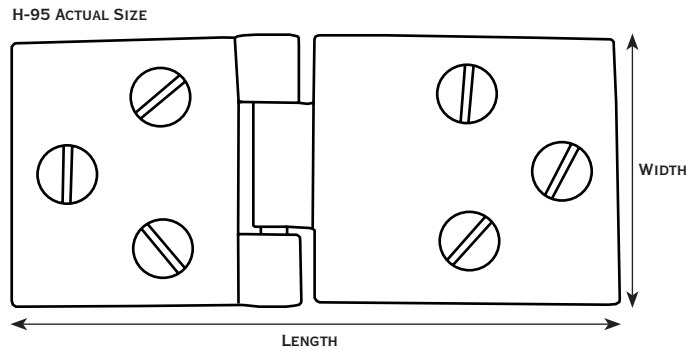


Steel Drop Leaf Table Hinge

The classic appearance is appropriate for reproduction and antique furniture. For replacing an existing hinge, finishing a project, or modifying reproduction furniture opt for our sturdy drop-leaf table hinges.

Made of steel and sold per pair.

*See the full set online at
www.horton-brasses.com/dropleaftable-1.asp*



Dimensions

	length	width	thickness
H-505	$2\frac{7}{8}$ "	$1\frac{1}{4}$ "	$\frac{1}{16}$ "
H-95	$3\frac{3}{16}$ "	$1\frac{7}{16}$ "	$\frac{1}{16}$ "



H-53 Card Table Hinge

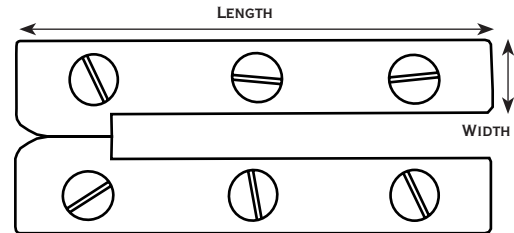
Butler and card table trays are very unique hinges for very special applications. Our H-53 card table hinges were traditionally used on Federal and demilune card tables. These are *not* knife hinges. These mount on the side edges of a table. Typically, card tables are round, you will need to bend each leaf on the hinge in a vice to match the curve as needed.

Dimensions

	length	width	thickness
H-53	$2\frac{1}{2}$ "	$\frac{3}{8}$ "	$\frac{1}{8}$ "

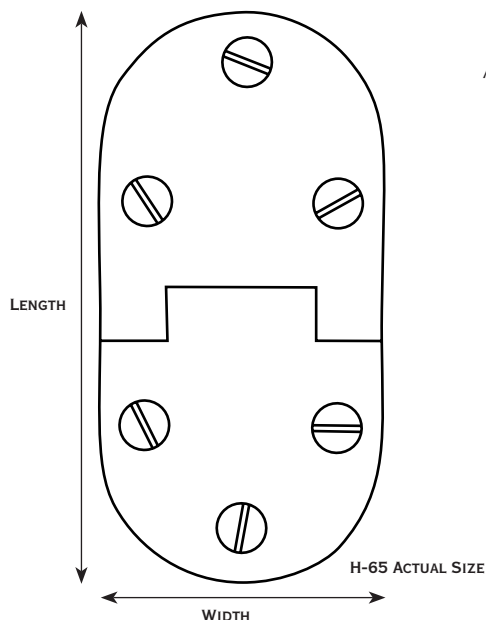
*Hardware shown in the Antique finish.
See the rest of the finishes online at
www.horton-brasses.com/butlertrayand.asp*

Available
Finishes



H-65 Rounded Corner Butler Tray Hinge

If you own a folding table or tray requiring additional support and stabil, consider this butler tray hinge. This hinge allows a tray top to fold out to a 90 degree angle, and snaps flat; a spring loaded mechanism holds the tray in place, regardless of an up or down position.



Available Finishes



Dimensions

	length	width	thickness
H-65	$2\frac{7}{8}$ "	$1\frac{1}{2}$ "	$\frac{1}{16}$ "



